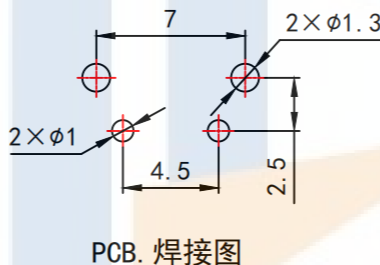
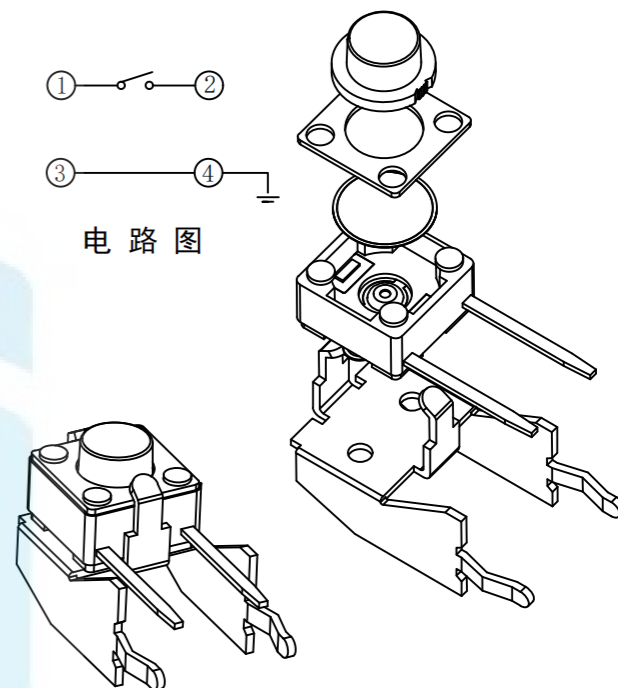
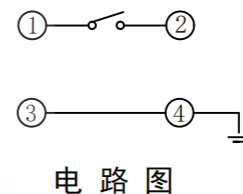
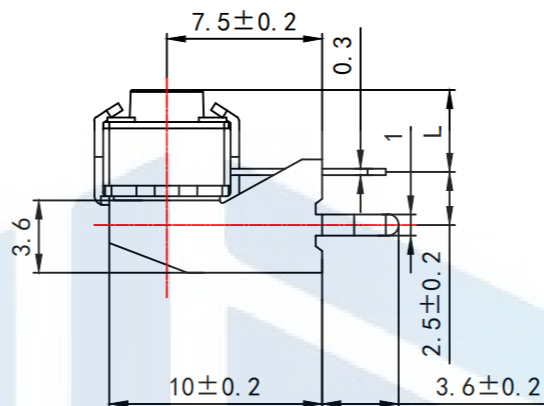
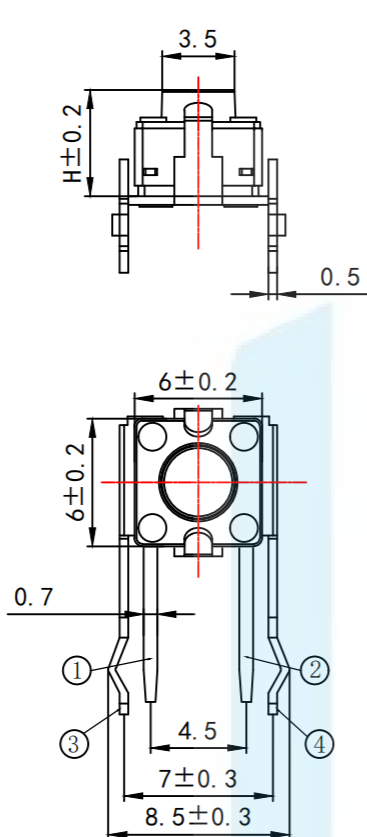


RoHS2.0
Compliant

L	H
3.15	4.3
3.35	4.5
3.85	5.0
4.35	5.5
4.85	6.0
5.35	6.5
5.85	7.0



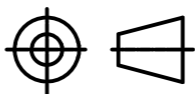
Key Technical Specifications:

1. Rating: 50mA DC12V
2. Contact resistance: $\leq 50\text{m}\Omega$
3. Operating force: $250 \pm 40\text{gf}$
4. Itinerary: $0.25 \pm 0.1\text{mm}$
5. Insulation resistance: $\geq 100\text{M}\Omega$
6. Electrical strength: 250V 50HZ 1Min.
7. life span: 100,000 Cycles

TOLERANCE

X. XXX	± 0.05
X. XX	± 0.15
X. X	± 0.20
X.	± 0.30
ANGLE	$\pm 5.0^\circ$

PROTECTON



东莞市恒祺电子科技有限公司
Dongguan Hengqi Electronic Technology Co., Ltd

<https://www.hq-dz.com>

phone: 15812872448

TITLE:
轻触开关

PART NO: HQ-TS-D013

DRAWING NO: 6*6*H下支架

DRAWN:

DATE: 18-10-08

UNIT:
mm

CHECKED:

DATE: 18-10-08

SCALE:
FULL

APPROVED:

DATE: 18-10-08

SIZE:
A4