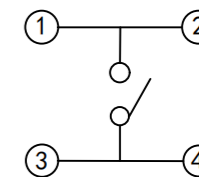
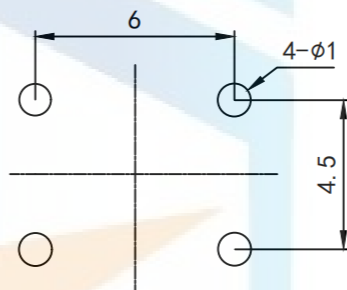
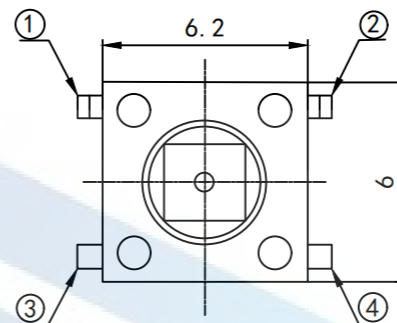
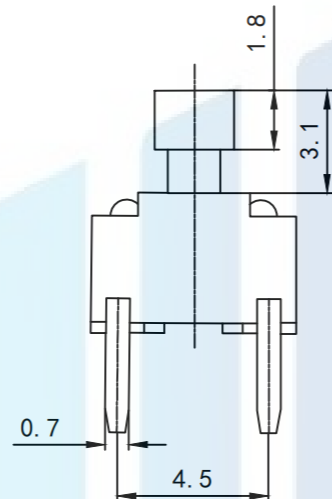
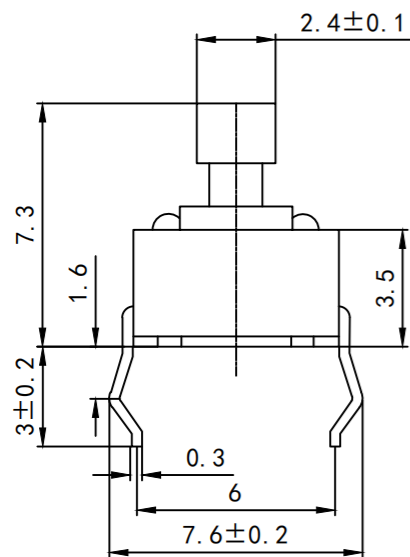
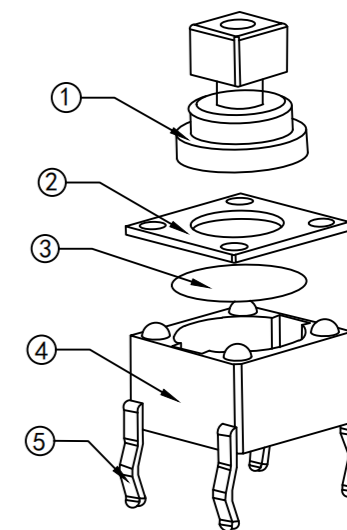


RoHS2.0  
Compliant




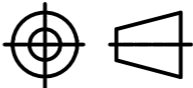
电路图



PCB线路板安装图 (±0.1)

Technical parameters:

1. Working temperature:  $-25 \sim +85^{\circ}\text{C}$ ;
2. Rated load: DC 12V 50mA;
3. Contact resistance:  $\leq 50\text{m}\Omega$ ;
4. Insulation resistance:  $\geq 100\text{M}\Omega$ ;
5. Pressure resistance: AC250V (50Hz)/min;
6. Action force:  $250\text{g} \pm 50\text{g}$ ;
7. Service life: 100000 times;
8. No dimensional tolerances are indicated in the table below

TOLERANCE	X. XXX	$\pm 0.05$		东莞市恒祺电子科技有限公司	
	X. XX	$\pm 0.15$		Dongguan Hengqi Electronic Technology Co., Ltd	
X. X	$\pm 0.20$		<a href="https://www.hq-dz.com">https://www.hq-dz.com</a>		phone: 15812872448
X.	$\pm 0.30$		TITLE: 轻触开关		PART NO: HQ-TS-D005
ANGLE	$\pm 5.0^{\circ}$				DRAWING NO: 6*6*7.3方头DIP
PROTECTON 	DRAWN:		DATE:	18-10-08	UNIT: mm
	CHECKED:		DATE:	18-10-08	SCALE: FULL
	APPROVED:		DATE:	18-10-08	SIZE: A4