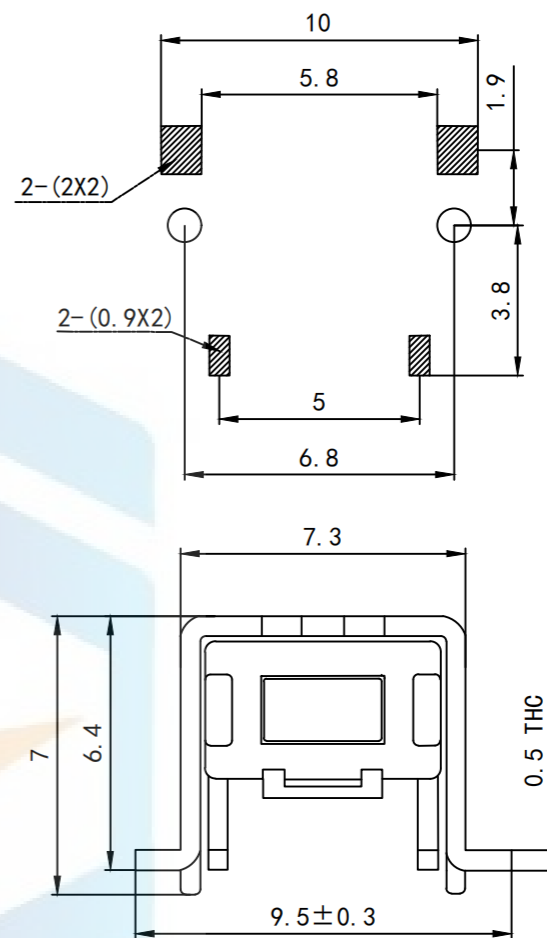
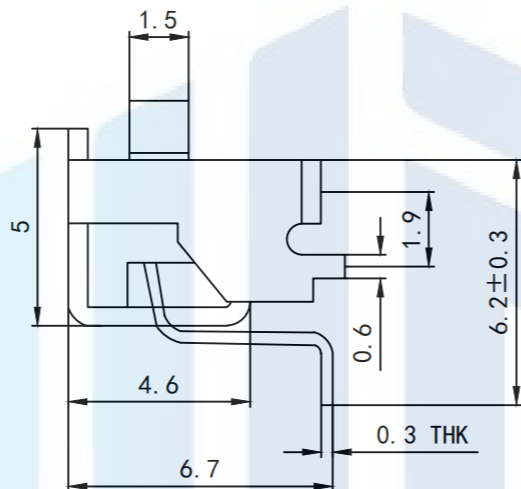
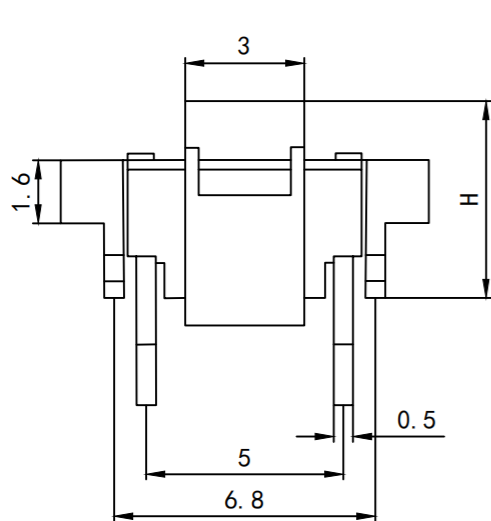
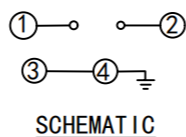


RoHS2.0
Compliant ✓



Technical requirements:

1. The surface of the parts is smooth and clean without scratches, splashes, deformation, defects affecting appearance and performance.
2. Rated current :50mA. 12V DC, insulation resistance 100Mmin, 100V DC, dielectric strength 250V AC for 1min, contact resistance 100m52 max.
3. The switch feels obvious, the gear position is clear and reliable, no stuck phenomenon, after eliminating external force, it should be able to return quickly.

TOLERANCE X. XXX ±0.05 X. XX ±0.15 X. X ±0.20 X. ±0.30 ANGLE ±5.0°		东莞市恒祺电子科技有限公司 Dongguan Hengqi Electronic Technology Co., Ltd	
		https://www.hq-dz.com phone:15812872448	
PROTECTON 	DRAWN: CHECKED: APPROVED:	TITLE: 轻触开关	
		PART NO: HQ-TS-B020	
		DRAWING NO: 3*6*H支架全包	
		DATE: 18-10-08	UNIT: mm
		DATE: 18-10-08	SCALE: FULL
		DATE: 18-10-08	SIZE: A4