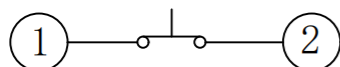
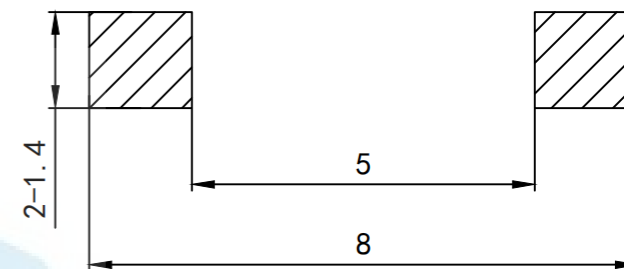
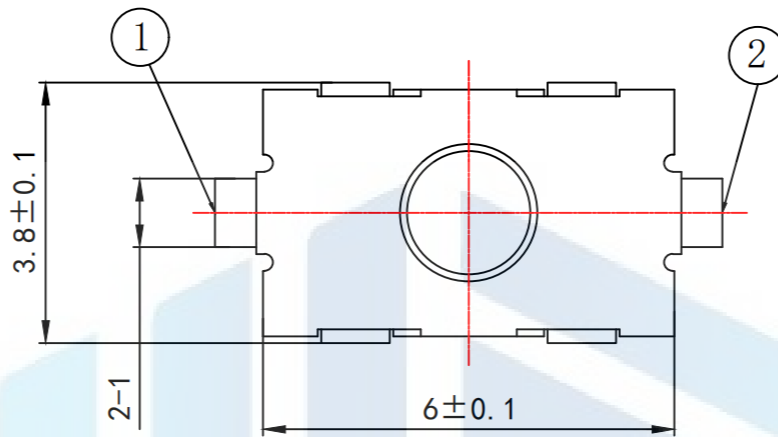


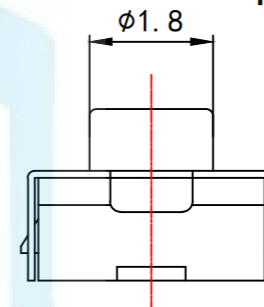
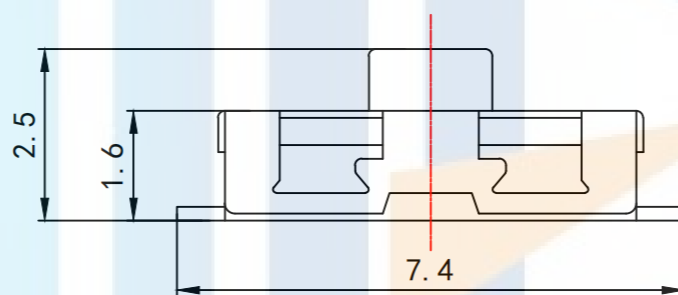
RoHS2.0
Compliant



电路图



PCB. 焊接图



Key Technical Specifications:

1. Rating: 50mA DC12V
2. Contact resistance: $\leq 100 \Omega$
3. Operating force: $180 \pm 50 \text{gf}$
4. Itinerary: $0.20 \pm 0.1 \text{mm}$
5. Insulation resistance: $\geq 100 \text{M}\Omega$
6. Electrical strength: 250V 50HZ 1Min.
7. life span: 100,000 Cycles

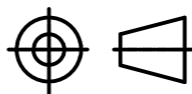
Material:

- Ontology: LCP
- Button: Silicone
- Clip: Brass (silver-plated)
- Shrapnel: Stainless steel (silver-clad)
- Cover: Stainless steel

TOLERANCE

X. XXX	± 0.05
X. XX	± 0.15
X. X	± 0.20
X.	± 0.30
ANGLE	$\pm 5.0^\circ$

PROTECTON



东莞市恒祺电子科技有限公司

Dongguan Hengqi Electronic Technology Co., Ltd

<https://www.hq-dz.com>

phone: 15812872448

TITLE:

轻触开关

PART NO: HQ-TS-B009

DRAWING NO: 3.8*6*2.5常闭

DRAWN:

DATE: 18-10-08

UNIT: mm

CHECKED:

DATE: 18-10-08

SCALE: FULL

APPROVED:

DATE: 18-10-08

SIZE: A4