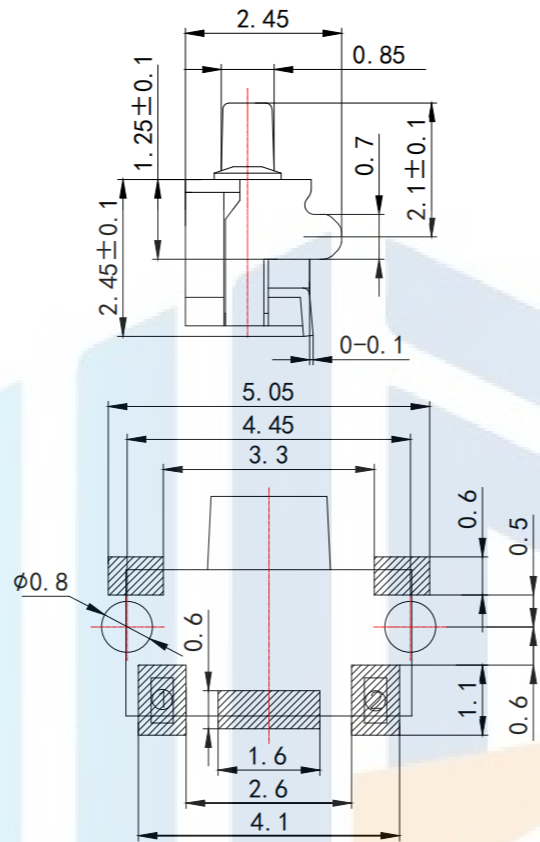
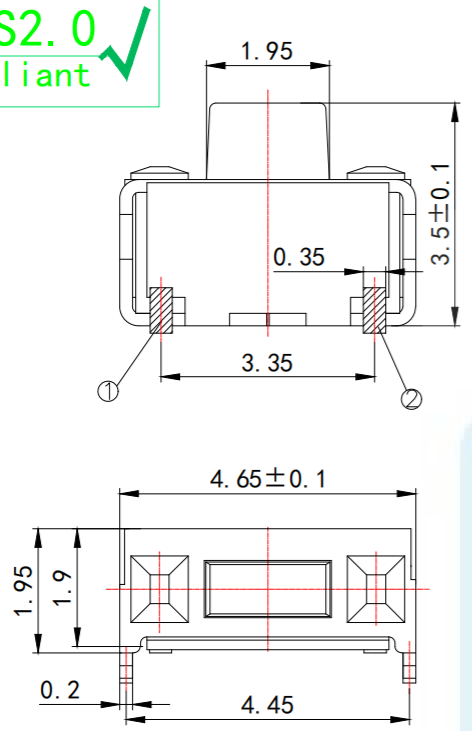
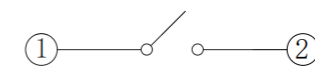


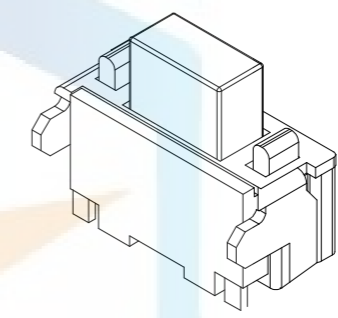
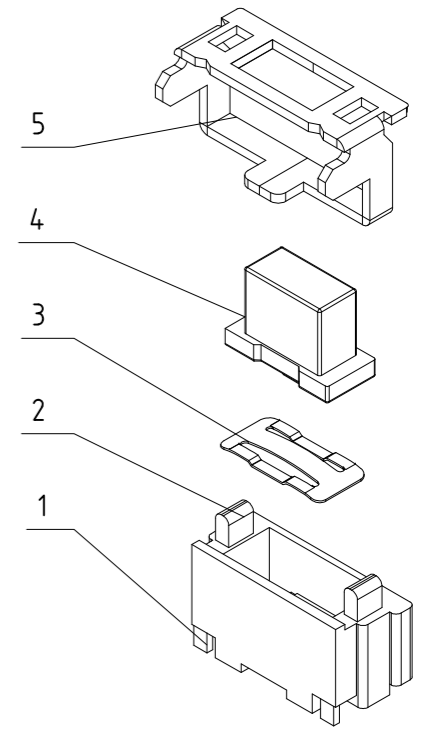
RoHS2.0
Compliant



印制电路板开孔
P. C. B. HOLE DETAIL



电路图
SCHEMATEC



- Key Technical Specifications:
1. Rating: 50mA DC12V
 2. Contact resistance: $\leq 100m\Omega$
 3. Operating force: $180 \pm 40gf$
 4. Itinerary: $0.20 \pm 0.1mm$
 5. Insulation resistance: $\geq 100M\Omega$
 6. Electrical strength: 250V 50HZ 1Min.
 7. life span: 50,000 Cycles

TOLERANCE			东莞市恒祺电子科技有限公司 Dongguan Hengqi Electronic Technology Co., Ltd		
X. XXX	±0.05		https://www.hq-dz.com		phone:15812872448
X. XX	±0.15	TITLE: 轻触开关		PART NO:HQ-TS-A004	
X. X	±0.20			DRAWING NO:2*4*3.5支架无柱	
X.	±0.30			DATE:	18-10-08
ANGLE	±5.0°			DATE:	18-10-08
PROTECTON		DRAWN:		DATE:	18-10-08
		CHECKED:		DATE:	18-10-08
		APPROVED:		DATE:	18-10-08
				UNIT:	mm
				SCALE:	FULL
				SIZE:	A4