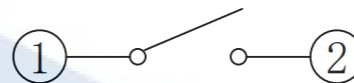
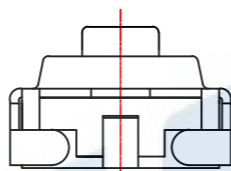
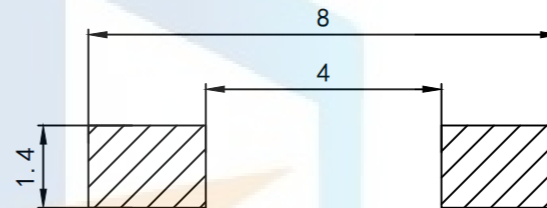
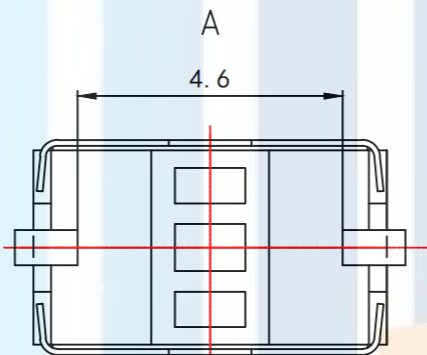
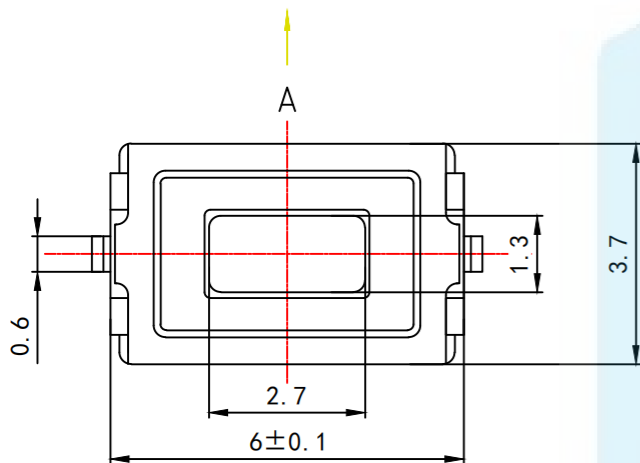
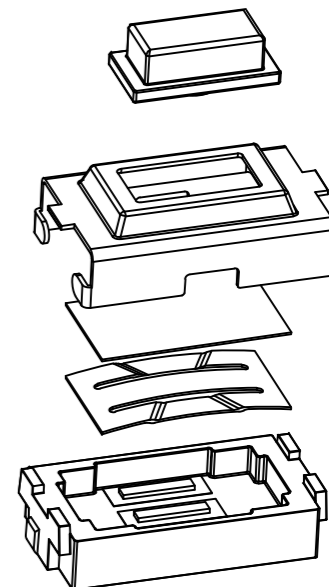


RoHS2.0  
Compliant

H
2.5
2.7
3.0
3.3
3.5



电路图



PCB. 焊接图

Key Technical Specifications:

1. Rating: 50mA DC12V
2. Contact resistance:  $\leq 100 \Omega$
3. Operating force:  $250 \pm 40 \text{gf}$
4. Itinerary:  $0.20 \pm 0.1 \text{mm}$
5. Insulation resistance:  $\geq 100 \text{M}\Omega$
6. Electrical strength: 250V 50HZ 1Min.
7. life span: 50,000 Cycles

TOLERANCE			东莞市恒祺电子科技有限公司 Dongguan Hengqi Electronic Technology Co., Ltd		
X. XXX	$\pm 0.05$		<a href="https://www.hq-dz.com">https://www.hq-dz.com</a>	phone: 15812872448	
X. XX	$\pm 0.15$	TITLE: 轻触开关	PART NO: HQ-TS-B006		
X. X	$\pm 0.20$		DRAWING NO: 3*6*H拉伸U脚		
X.	$\pm 0.30$	DRAWN: CHECKED: APPROVED:	DATE:	18-10-08	UNIT: mm
ANGLE	$\pm 5.0^\circ$		DATE:	18-10-08	SCALE: FULL
			DATE:	18-10-08	SIZE: A4

