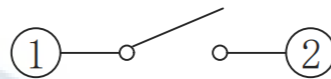
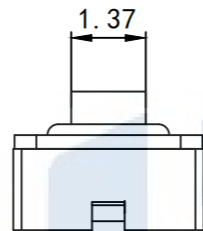
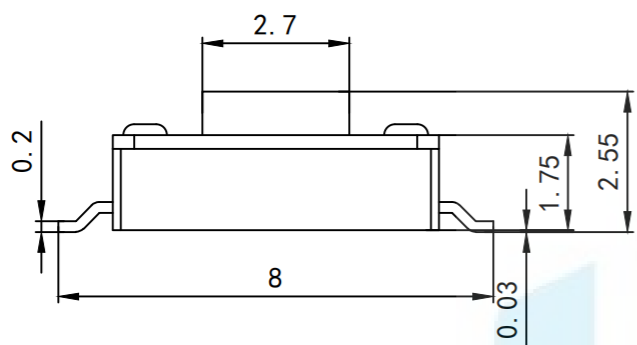
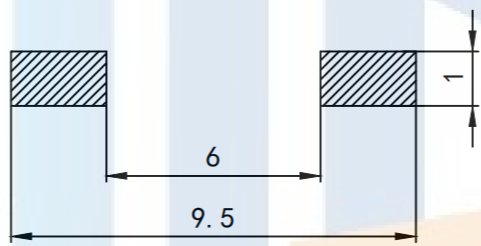
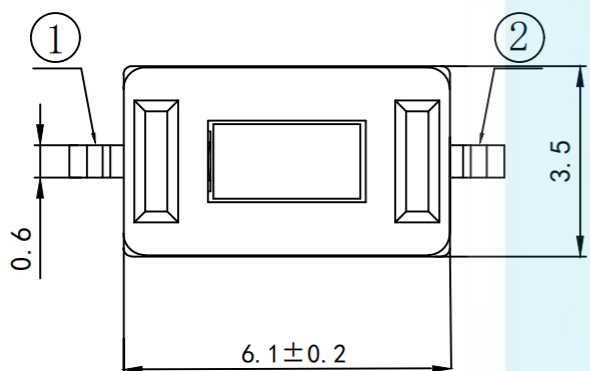
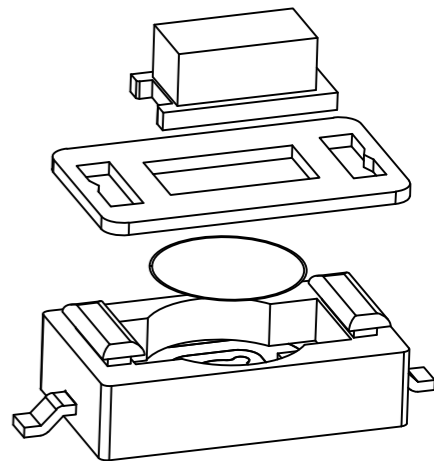


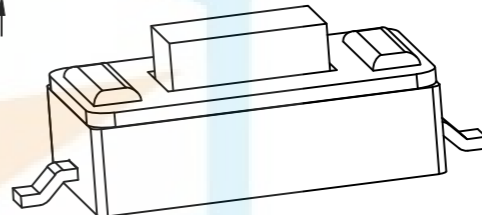
RoHS2.0
Compliant ✓



电路图



PCB. 焊接图



- Key Technical Specifications:
1. Rating: 50mA DC12V
 2. Contact resistance: $\leq 100 \Omega$
 3. Operating force: $250 \pm 30 \text{gf}$
 4. Itinerary: $0.20 \pm 0.1 \text{mm}$
 5. Insulation resistance: $\geq 100 \text{M}\Omega$
 6. Electrical strength: 250V 50HZ 1Min.
 7. life span: 100,000 Cycles

TOLERANCE			东莞市恒祺电子科技有限公司		
X. XXX	± 0.05		Dongguan Hengqi Electronic Technology Co., Ltd		
X. XX	± 0.15	https://www.hq-dz.com		phone: 15812872448	
X. X	± 0.20	TITLE: 轻触开关		PART NO: HQ-TS-B004	
X.	± 0.30			DRAWING NO: 3*6*H 平盖	
ANGLE	$\pm 5.0^\circ$	DRAWN:		DATE:	18-10-08
PROTECTON 		CHECKED:		DATE:	18-10-08
		APPROVED:		DATE:	18-10-08
				UNIT:	mm
				SCALE:	FULL
				SIZE:	A4