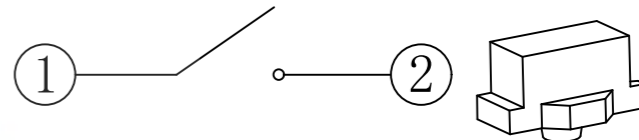
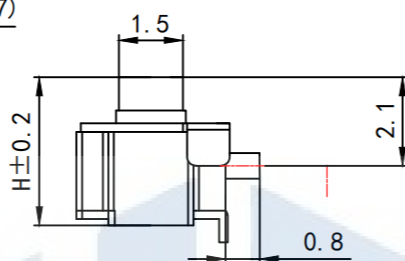
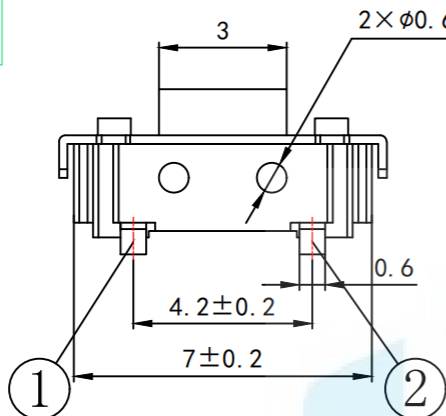
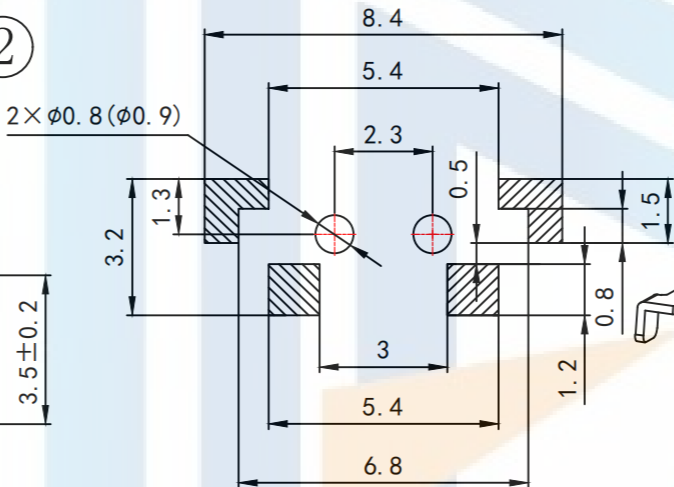
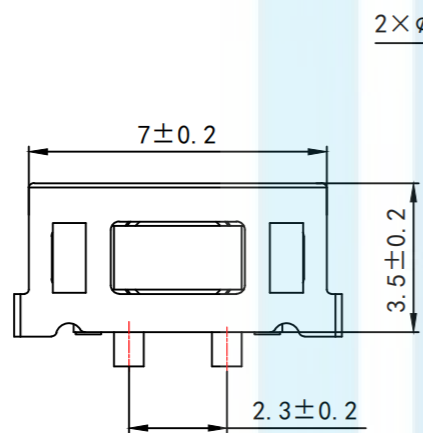


RoHS2.0
Compliant ✓

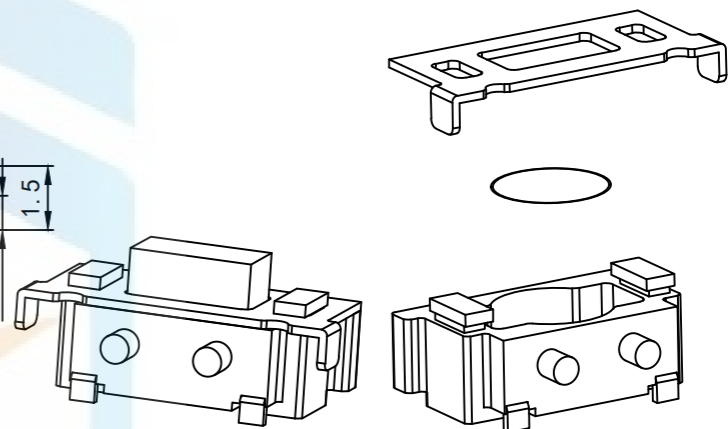
H
3.5
3.8
4.3
5.0



电路图



PCB. 焊接图



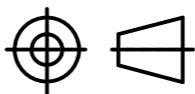
Key Technical Specifications:

1. Rating: 50mA DC12V
2. Contact resistance: $\leq 50 \Omega$
3. Operating force: $250 \pm 40 \text{gf}$
4. Itinerary: $0.20 \pm 0.1 \text{mm}$
5. Insulation resistance: $\geq 100 \text{M}\Omega$
6. Electrical strength: 250V 50HZ 1Min.
7. life span: 30,000&100000 Cycles

TOLERANCE

X. XXX	± 0.05
X. XX	± 0.15
X. X	± 0.20
X.	± 0.30
ANGLE	$\pm 5.0^\circ$

PROTECTON



东莞市恒祺电子科技有限公司
Dongguan Hengqi Electronic Technology Co., Ltd

<https://www.hq-dz.com>

phone: 15812872448

TITLE:
轻触开关

PART NO: HQ-TS-B001

DRAWING NO: 3*6*H

DRAWN:
CHECKED:
APPROVED:

DATE: 18-10-08
DATE: 18-10-08
DATE: 18-10-08

UNIT: mm
SCALE: FULL
SIZE: A4