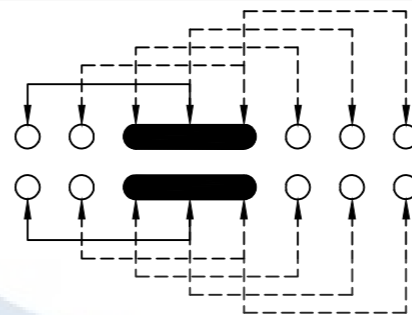
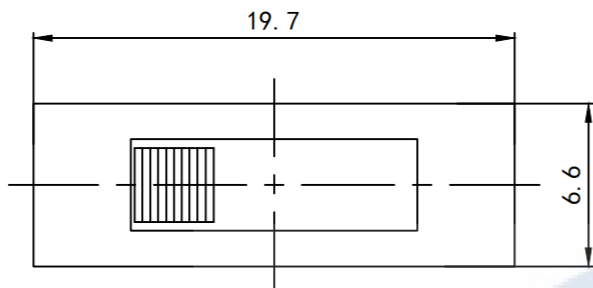
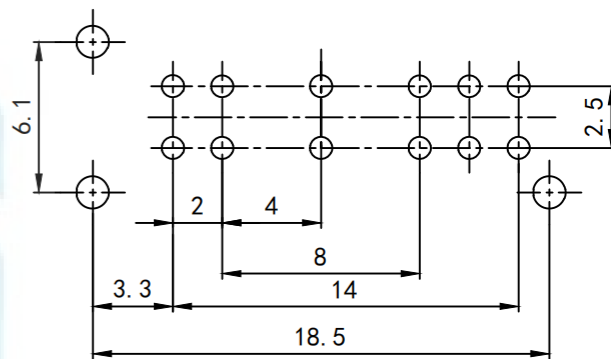
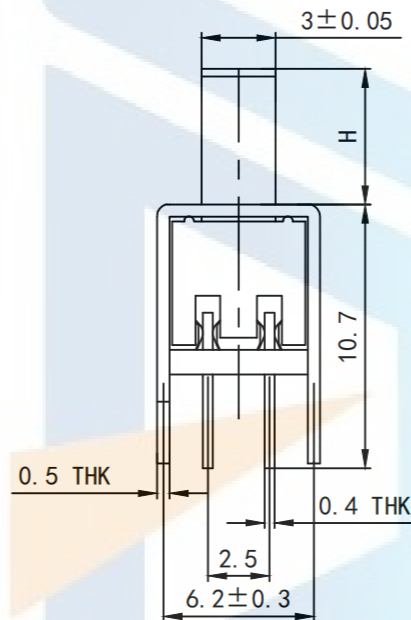
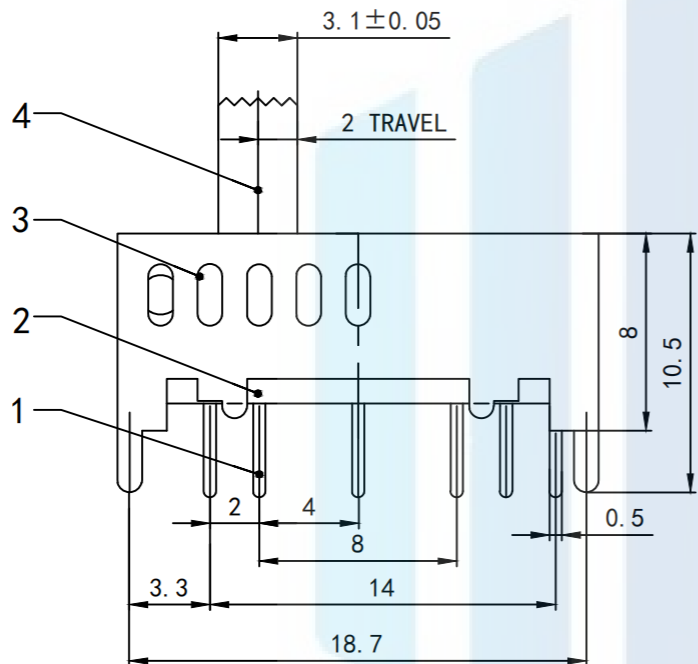


RoHS2.0
Compliant ✓



SCHEMATIC (SHORTING)



P. C. B LAYOUT
BOTTOM VIEW

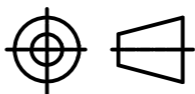
Specification:

1. Rating: DC 50V 0.3A
2. Contact resistance: $\leq 100 \text{ m}\Omega$
3. Insulation resistance: $\geq 100 \text{ M}\Omega$ (DC 250V/Hin)
4. Electronics life: 5000 cycles
5. Operation force: $250 \pm 100 \text{ gf}$
6. All materials are Rohs compliant

TOLERANCE

X. XXX	± 0.05
X. XX	± 0.15
X. X	± 0.20
X.	± 0.30
ANGLE	$\pm 5.0^\circ$

PROTECTON



东莞市恒祺电子科技有限公司
Dongguan Hengqi Electronic Technology Co., Ltd

<https://www.hq-dz.com>

phone: 15812872448

TITLE:

拨动开关

PART NO: SS-25D01

DRAWING NO: 19.7*6.6*H

DRAWN:

DATE:

18-10-08

UNIT:
mm

CHECKED:

DATE:

18-10-08

SCALE:
FULL

APPROVED:

DATE:

18-10-08

SIZE:
A4