
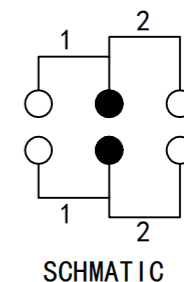
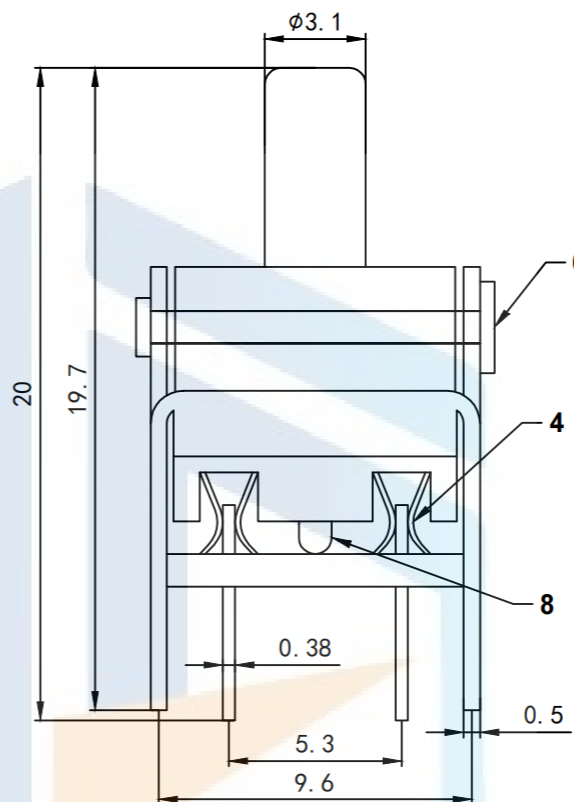
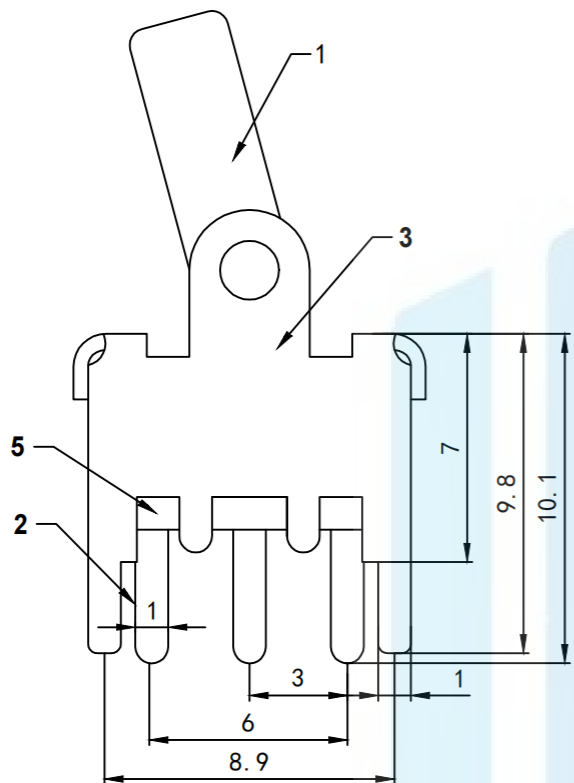


RoHS2.0
Compliant 



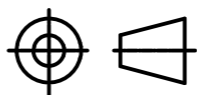
Electrical performance parameters:

1. Rated load: DC50V 0.3A
2. Contact resistance: 100 milliohms or less
3. Insulation resistance: more than 100 megaohms
4. Withstand voltage: AC 500V
5. Strength: 100~200gf
6. Lifespan: 10000 times
7. Post-welding: 350 ± 10 degrees

TOLERANCE

X. XXX	±0.05
X. XX	±0.15
X. X	±0.20
X.	±0.30
ANGLE	±5.0°

PROTECTON



东莞市恒祺电子科技有限公司

Dongguan Hengqi Electronic Technology Co., Ltd

<https://www.hq-dz.com>

phone:15812872448

TITLE:

拨动开关

PART NO:TS-22F02

DRAWING NO:20*7*9.6

DRAWN:

DATE: 18-10-08

UNIT: mm

CHECKED:

DATE: 18-10-08

SCALE: FULL

APPROVED:

DATE: 18-10-08

SIZE: A4