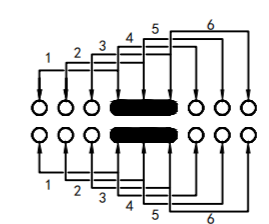
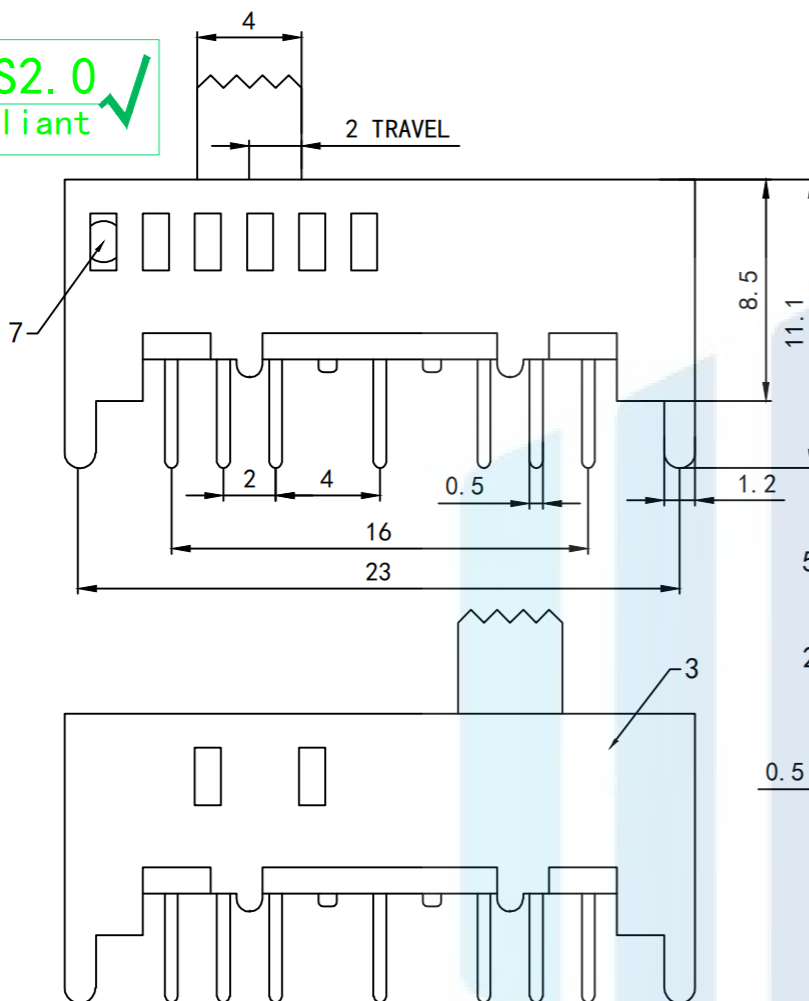
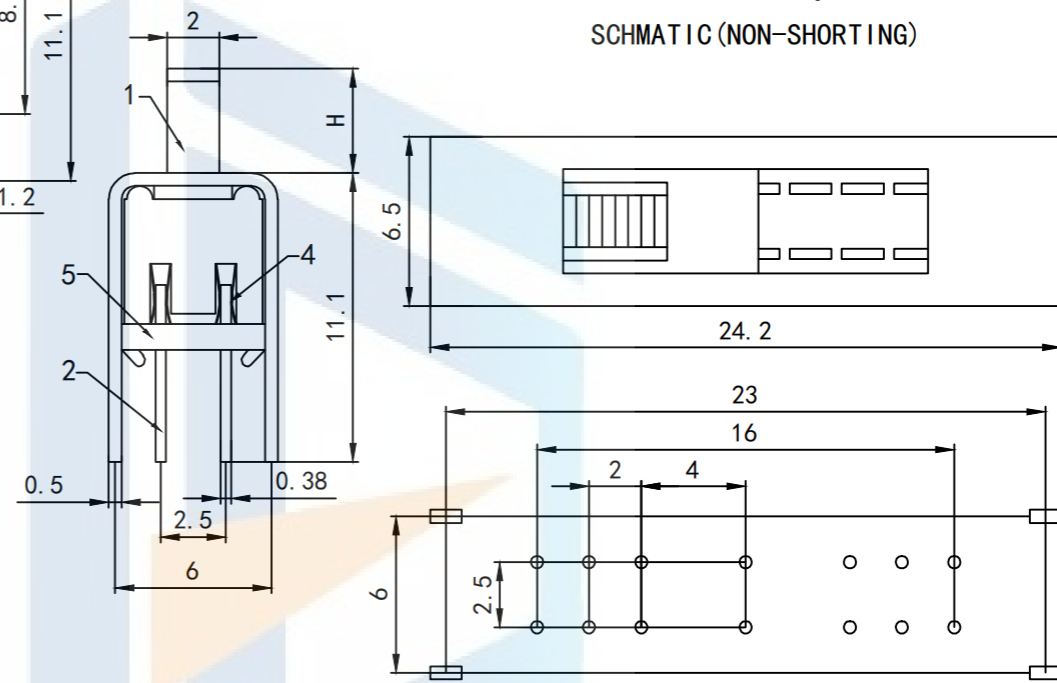


RoHS2.0  
Compliant



SCHMATIC (NON-SHORTING)



- Electrical performance parameters:
1. Rated load: DC50V 0.3A
  2. Contact resistance: 100 milliohms or less
  3. Insulation resistance: more than 100 megaohms
  4. Withstand voltage: AC 500V
  5. vigour:  $350 \pm 150gf$
  6. Lifespan: 10000 times
  7. Hand welding:  $350 \pm 10$  degrees

<b>TOLERANCE</b>			东莞市恒祺电子科技有限公司				
X. XXX	±0.05		Dongguan Hengqi Electronic Technology Co., Ltd				
X. XX	±0.15	<a href="https://www.hq-dz.com">https://www.hq-dz.com</a>		phone:15812872448			
X. X	±0.20	TITLE: 拨动开关		PART NO:SS-26D02			
X.	±0.30			DRAWING NO:24*6.5*H			
ANGLE	±5.0°	DRAWN:		DATE: 18-10-08	UNIT: mm		
<b>PROTECTON</b> 				CHECKED:		DATE: 18-10-08	SCALE: FULL
						APPROVED:	