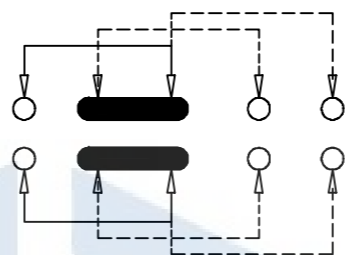
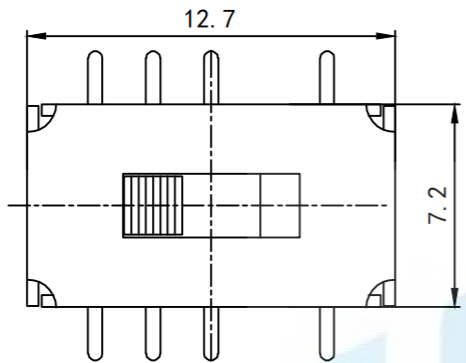
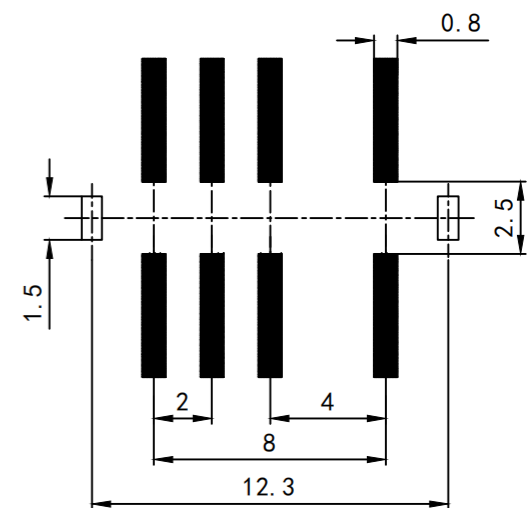
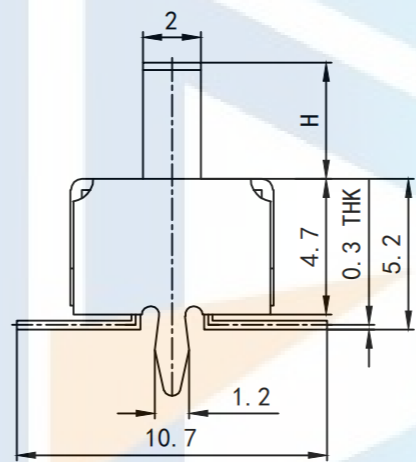
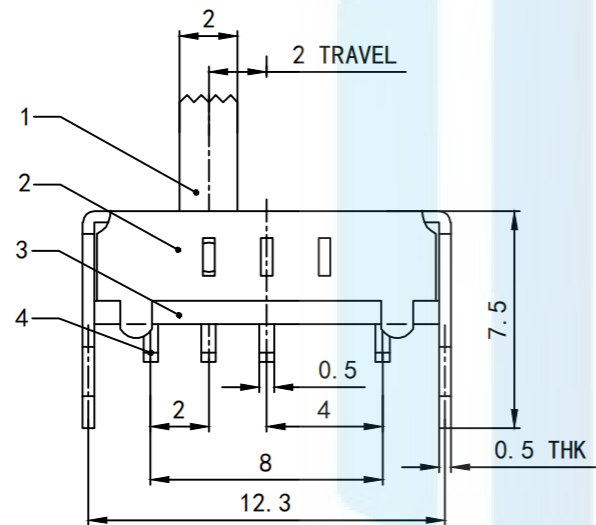


RoHS2.0  
Compliant ✓



SCHEMATIC (SHORTING)



P.C.B. LAYOUT  
BOTTOM VIEW

Specification:

1. Rated voltage :DC 50V 0.3A
2. Contact resistance :30MΩ MAX less than 30Mω
3. Insulation resistance :100MΩ MIN 100 megohm or more
4. Compressive strength :AC500V (50/60Hz) 1 minute sensitivity current is 0.5mA
5. Operating temperature: -16°C ± 60°C
6. Mechanical life: 10,000 cycles

<b>TOLERANCE</b>			东莞市恒祺电子科技有限公司		
X. XXX	±0.05		Dongguan Hengqi Electronic Technology Co., Ltd		
X. XX	±0.15	https://www.hq-dz.com phone:15812872448			
X. X	±0.20	TITLE: 拨动开关		PART NO:SS-23D07定位贴片	
X.	±0.30	DRAWING NO:12.7*7.2*H			
ANGLE	±5.0°				
<b>PROTECTON</b>		DRAWN:	DATE:	18-10-08	UNIT: mm
		CHECKED:	DATE:	18-10-08	SCALE: FULL
		APPROVED:	DATE:	18-10-08	SIZE: A4