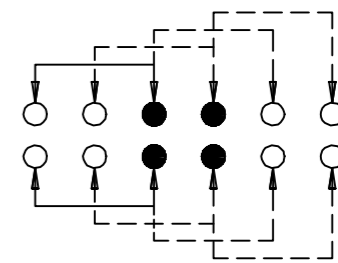
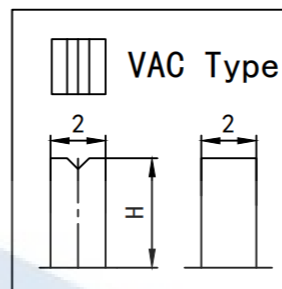
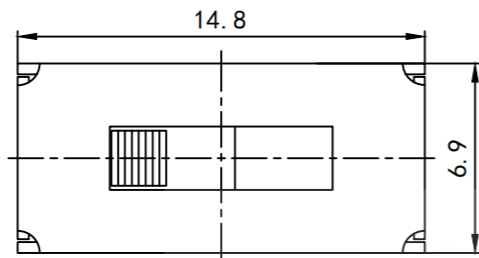
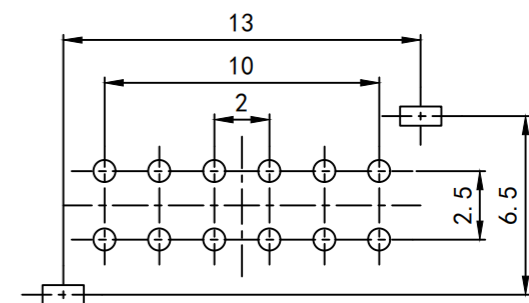
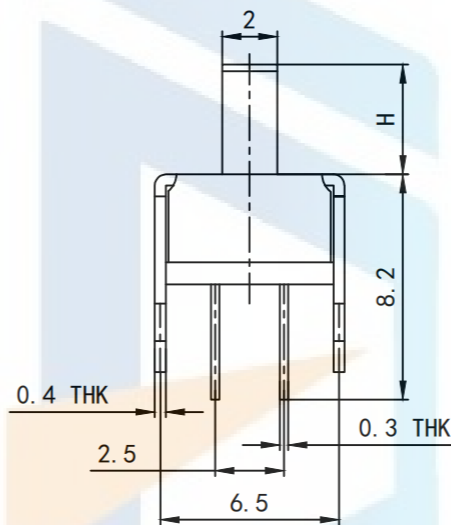
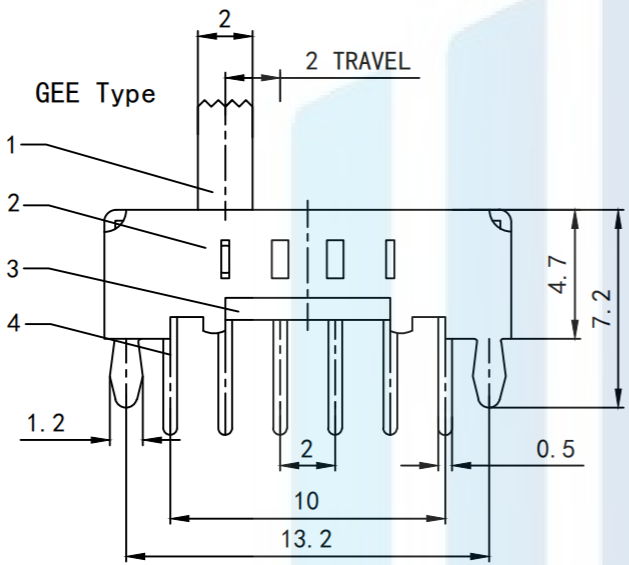


RoHS2.0  
Compliant




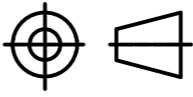
SCHEMATIC (SHORTING)



P.C.B LAYOUT  
BOTTOM VIEW

Electrical performance parameters:

1. RATING: 0.3A 50V DC
2. CIRCUIT: 2P3T
3. CONTACT RESISTANCE: 100mR MAX
4. TIMING: SHORTING
5. TRAVEL: 2.5mm
6. OPERATING FORCE: 250+100gf
7. OPERATING LIFE (cycles): 10,000

<b>TOLERANCE</b> X. XXX ±0.05 X. XX ±0.15 X. X ±0.20 X. ±0.30 ANGLE ±5.0°		 <b>东莞市恒祺电子科技有限公司</b> Dongguan Hengqi Electronic Technology Co., Ltd	
		<a href="https://www.hq-dz.com">https://www.hq-dz.com</a> phone: 15812872448	
<b>TITLE:</b> 拨动开关		<b>PART NO:</b> SS-24D02	
<b>PROTECTON</b> 		<b>DRAWING NO:</b> 14.8*6.9*H	
<b>DRAWN:</b>		<b>DATE:</b> 18-10-08	
<b>CHECKED:</b>		<b>DATE:</b> 18-10-08	
<b>APPROVED:</b>		<b>DATE:</b> 18-10-08	
		<b>UNIT:</b> mm <b>SCALE:</b> FULL <b>SIZE:</b> A4	