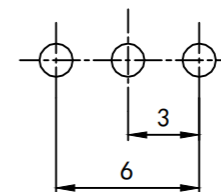
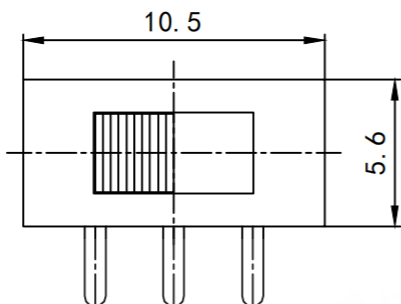
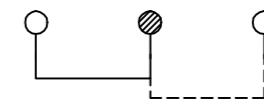
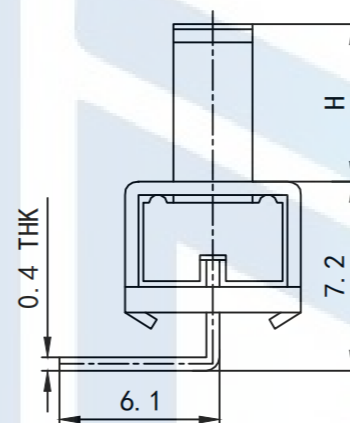
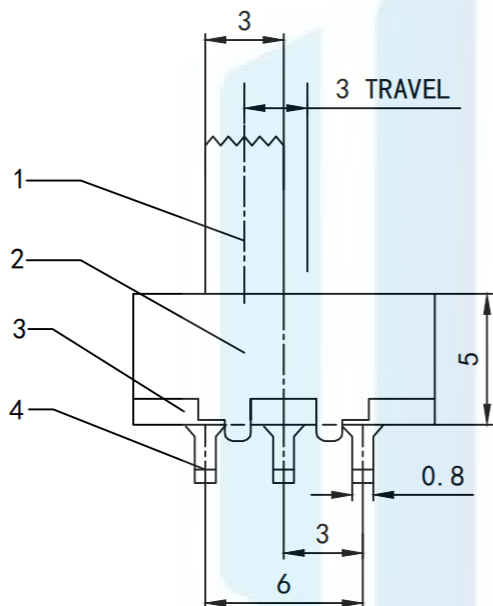


RoHS2.0
Compliant ✓



P. C. B LAYOUT
BOTTOM VIEW



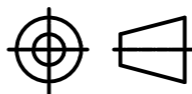
SCHEMATIC (NON-SHORTING)

Rated voltage :DC 50V 0.3A
 Contact resistance :30MΩ MAX less than 30Mω
 Insulation resistance :100MΩ MIN 100 megohm or more
 Compressive strength :AC500V (50/60Hz) 1 minute sensitivity current is 0.5mA
 Operating temperature: -16°C ±60°C
 Mechanical life: 10,000 cycles

TOLERANCE

X. XXX	±0.05
X. XX	±0.15
X. X	±0.20
X.	±0.30
ANGLE	±5.0°

PROTECTON



东莞市恒祺电子科技有限公司

Dongguan Hengqi Electronic Technology Co., Ltd

<https://www.hq-dz.com>

phone:15812872448

TITLE:

拨动开关

PART NO:SS-12F21

DRAWING NO:10.5*5.6*H

DRAWN:

DATE:

18-10-08

UNIT:
mm

CHECKED:

DATE:

18-10-08

SCALE:
FULL

APPROVED:

DATE:

18-10-08

SIZE:
A4