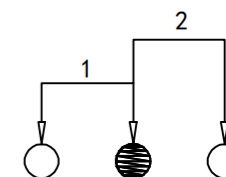
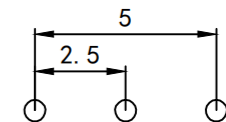
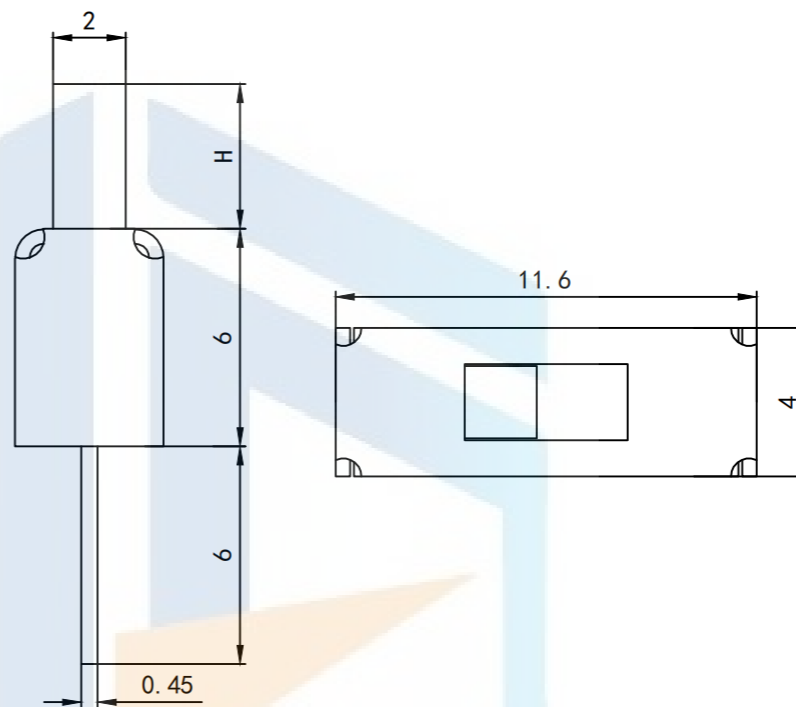
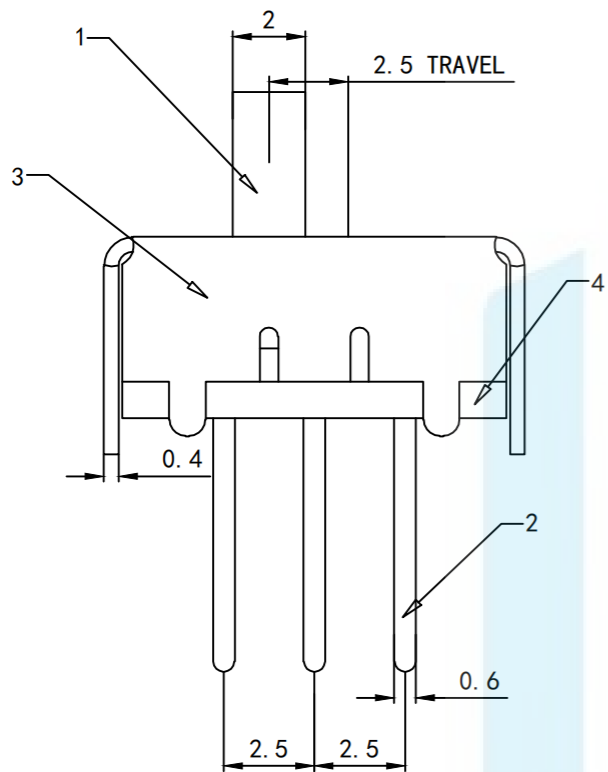


RoHS2.0  
Compliant ✓



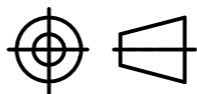
SCHEMATIC

Electrical performance parameter  
1DC50V 0.3A  
2. Contact resistance below 100 ohms  
3 insulation resistance; More than 100 megohm  
4 Pressure resistant; AC 500V  
5 Strength :250100gf  
6. Life :10000 times  
7 Hand welding; 35010 degrees

TOLERANCE

X. XXX	±0.05
X. XX	±0.15
X. X	±0.20
X.	±0.30
ANGLE	±5.0°

PROTECTON



东莞市恒祺电子科技有限公司

Dongguan Hengqi Electronic Technology Co., Ltd

<https://www.hq-dz.com>

phone:15812872448

TITLE:

拨动开关

PART NO:SS-12E17

DRAWING NO:11.6\*4\*H

DRAWN:

DATE:

18-10-08

UNIT:  
mm

CHECKED:

DATE:

18-10-08

SCALE:  
FULL

APPROVED:

DATE:

18-10-08

SIZE:  
A4