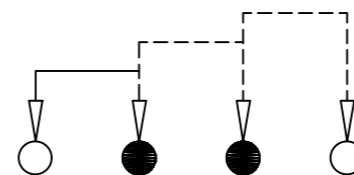
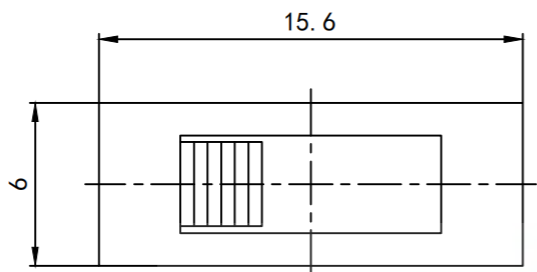
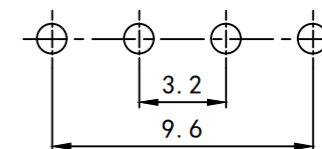
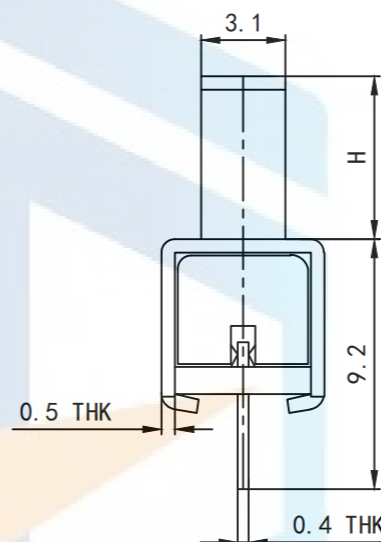
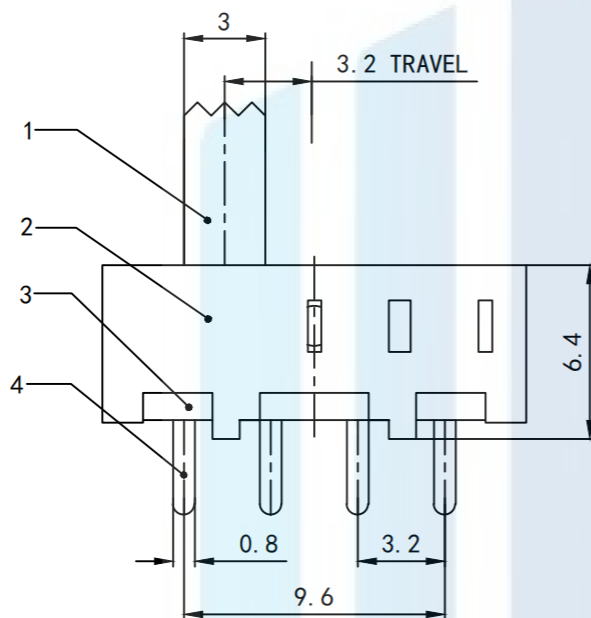


RoHS2.0  
Compliant



SCHEMATIC (SHORTING)



P.C.B. LAYOUT  
BOTTOM VIEW

Technical requirement

Rated voltage :DC 50V 0.3A

Contact resistance :30MΩ MAX less than 30Mω

Insulation resistance :100MΩ MIN 100 megohm or more

Compressive strength :AC500V (50/60Hz) 1 minute sensitivity current is 0.5mA

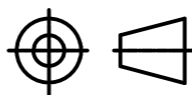
Operating temperature: -16°C ±60°C

Mechanical life: 10,000 cycles

TOLERANCE

X. XXX	±0.05
X. XX	±0.15
X. X	±0.20
X.	±0.30
ANGLE	±5.0°

PROTECTON



东莞市恒祺电子科技有限公司

Dongguan Hengqi Electronic Technology Co., Ltd

<https://www.hq-dz.com>

phone:15812872448

TITLE:

拨动开关

PART NO:SS-13F06

DRAWING NO:15.6\*6\*H

DRAWN:

DATE:

18-10-08

UNIT:  
mm

CHECKED:

DATE:

18-10-08

SCALE:  
FULL

APPROVED:

DATE:

18-10-08

SIZE:  
A4