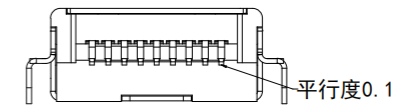
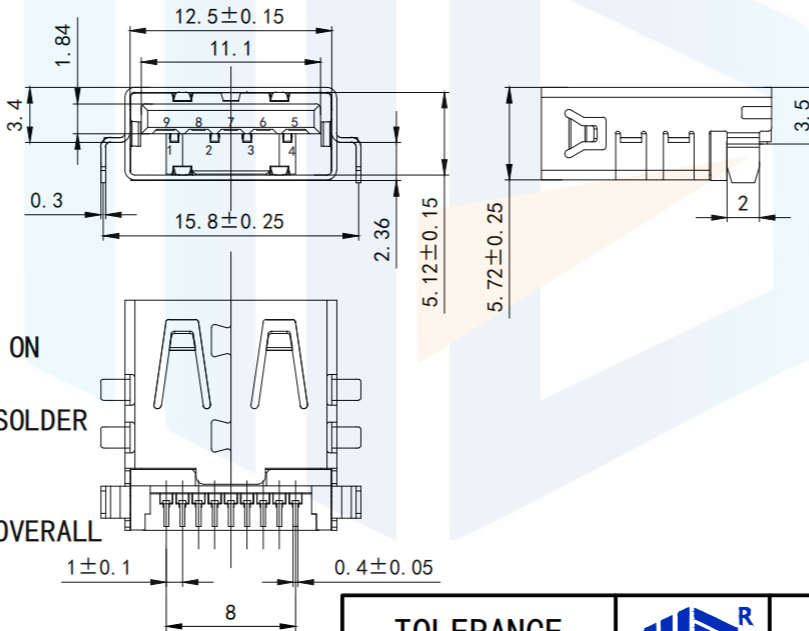
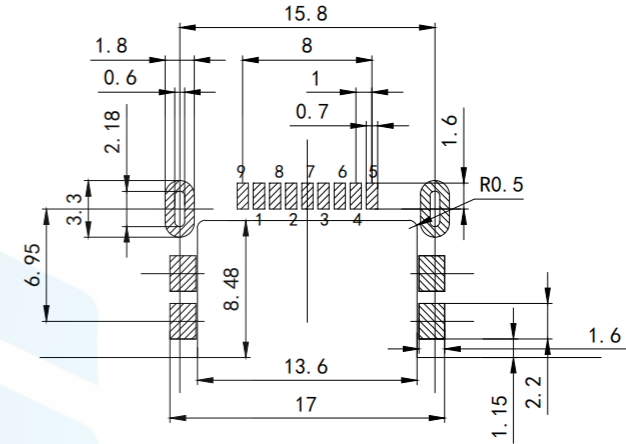
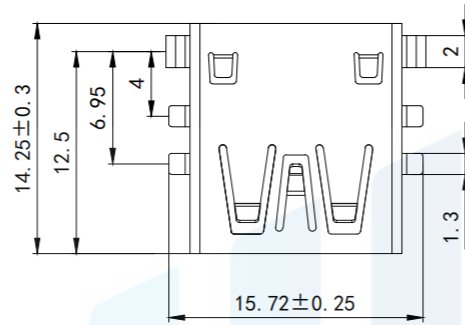


RoHS2.0
Compliant



NOTE:

1. MATERIAL:

- 1.1 INSULATOR: LCP+30%GF, UL94V-0,
- 1.2 CONTACT 1~4PIN: C5191R/Hlog ↯
- 1.3 CONTACT 5~9PIN: C5191R/Hlog ↯
- 1.4 SHELL: SUS201 T=0.3

2. PLATING:

- 2.1 CONTACT: SELECTIVE GOLD PLATED ON CONTACT AREA
- 100u" Min. MATTE TIN PLATED ON SOLDER TAIL
- 50u" Min. NICKEL UNDER-PLATED
- 2.2 SHELL: 50u" Min. NICKEL PLATED OVERALL

3. CHARACTERISTICS:

- 3.1 ELECTRICAL CHARACTERISTICS;
- CONTACT RESISTANCE: 30mΩ MAXIMUM
- CONTACT CURRENT RATING: 1.5A
- DIELECTRIC WITHSTANDING VOLTAGE: 500 V

R. M. S.

- INSULATION RESISTANCE 1000 MEGOHMS MIN
- OPERATING TEMPERATURE: -40° C ~ 85° C

3.2 MECHANICAL:

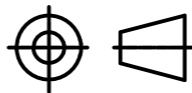
- MATING FORCE: 3.57Kg. Max.
- UNMATING FORCE: 1.02Kg. Min.

4. DESIGN STANDARD ACCORDING TO USB_3.0 SPECIFICATION.

TOLERANCE

X. XXX	±0.05
X. XX	±0.15
X. X	±0.20
X.	±0.30
ANGLE	±5.0°

PROTECTON



东莞市恒祺电子科技有限公司

Dongguan Hengqi Electronic Technology Co., Ltd

<https://www.hq-dz.com>

phone: 15812872448

TITLE:

USB 3.0 A/F 沉板3.5贴片直边
定位脚外移L=14.25

PART NO: USB3.0-Y008

DRAWING NO: 14.25*15.72*5.72

DRAWN:

CHECKED:

APPROVED:

DATE:

DATE:

DATE:

18-10-08

18-10-08

18-10-08

UNIT: mm
SCALE: FULL
SIZE: A4