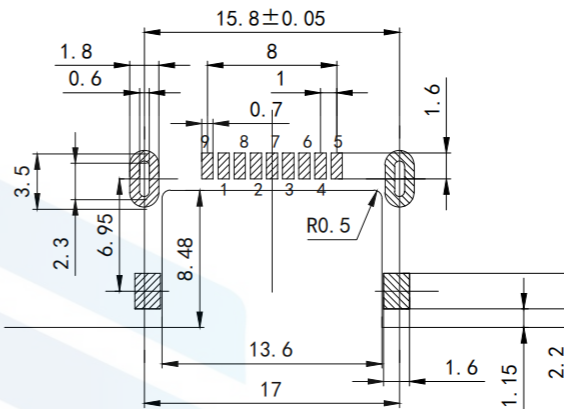
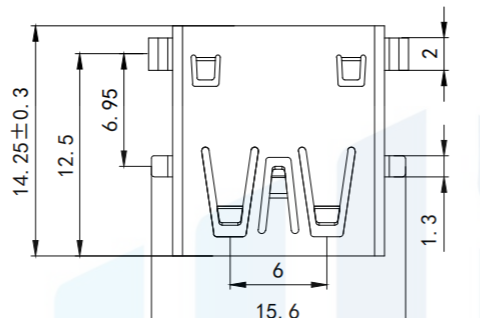
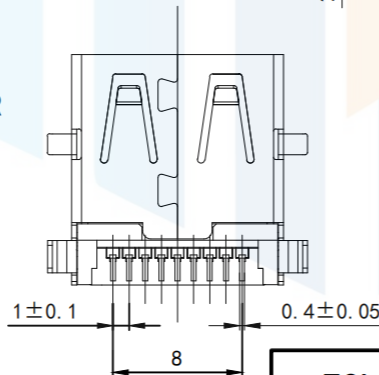
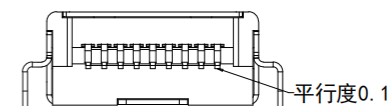
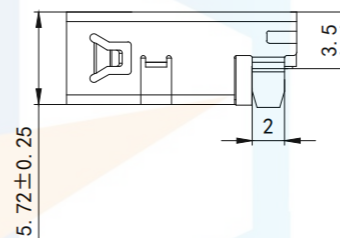
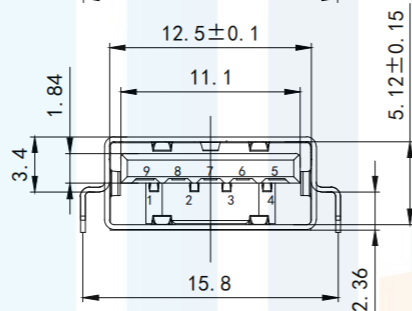


RoHS2.0
Compliant



| Pin NUMBER | SIGNAL NAME |
|------------|-------------|
| 1 | VBUS |
| 2 | D- |
| 3 | D+ |
| 4 | GND |
| 5 | StdA_SSRX- |
| 6 | StdA_SSRX+ |
| 7 | GND_DRAIN |
| 8 | StdA_SSTX- |
| 9 | StdA_SSTX+ |
| Shell | Shield |



NOTE:

1. MATERIAL:

- 1.1 INSULATOR: LCP+30%GF, UL94V-0,
- 1.2 CONTACT 1~4PIN: C5191R/H \mathcal{L}
- 1.3 CONTACT 5~9PIN: C5191R/H \mathcal{L}
- 1.4 SHELL: SUS201 T=0.3

2. PLATING:

- 2.1 CONTACT: SELECTIVE GOLD PLATED ON CONTACT AREA
100u" Min. MATTE TIN PLATED ON SOLDER TAIL
- 2.2 SHELL: 50u" Min. NICKEL PLATED

3. CHARACTERISTICS:

- 3.1 ELECTRICAL CHARACTERISTICS;
CONTACT RESISTANCE: 30m Ω MAXIMUM
CONTACT CURRENT RATING: 1.5A
DIELECTRIC WITHSTANDING VOLTAGE: 500 V

R. M. S.

INSULATION RESISTANCE 1000 MEGOHMS

MIN

OPERATING TEMPERATURE: -25 C \ll +85 C

C

3.2 MECHANICAL:

MATING FORCE: 3.57Kg. Max.
UNMATING FORCE: 1.02Kg. Min.

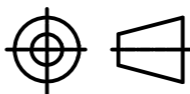
4. DESIGN STANDARD ACCORDING TO USB_3.0

SPECIFICATION.

TOLERANCE

| | |
|--------|-----------------|
| X. XXX | ± 0.05 |
| X. XX | ± 0.15 |
| X. X | ± 0.20 |
| X. | ± 0.30 |
| ANGLE | $\pm 5.0^\circ$ |

PROTECTON



东莞市恒祺电子科技有限公司

Dongguan Hengqi Electronic Technology Co., Ltd

<https://www.hq-dz.com>

phone: 15812872448

TITLE:

USB3.0 A/F 贴片沉板H=3.5无边
4定位脚外移6.95

PART NO: USB3.0-V125

DRAWING NO: 14.25*15.6*5.72

DRAWN:

DATE: 18-10-08

UNIT:
mm

CHECKED:

DATE: 18-10-08

SCALE:
FULL

APPROVED:

DATE: 18-10-08

SIZE:
A4