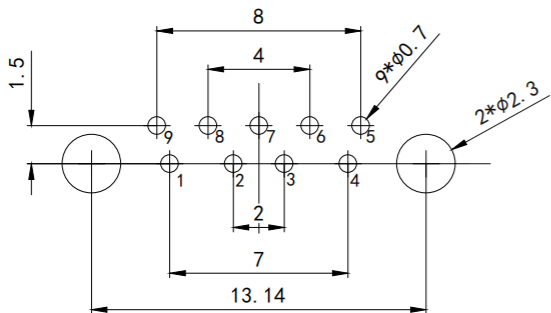


RoHS2.0
Compliant



P. C. B LAYOUT
TOL: ±0.05

NOTE:

1. MATERIAL:

- 1.1 INSULATOR: PBT & PA9T & LCP
- 1.2 CONTACT: COPPER ALLOY
- 1.3 SHELL: BRASS

2. ELECTRICAL CHARACTERISTICS:

- 2.1 CONTACT RESISTANCE: 30mΩ MAXIMUM
- 2.2 CONTACT CURRENT RATING: 1.5A
- 2.3 DIELECTRIC WITHSTANDING

VOLTAGE: 100 V R. M. S.

2.4 INSULATION RESISTANCE 100 MEGOHMS MIN

2.5 OPERATING TEMPERATURE: -20° C ~ 60° C

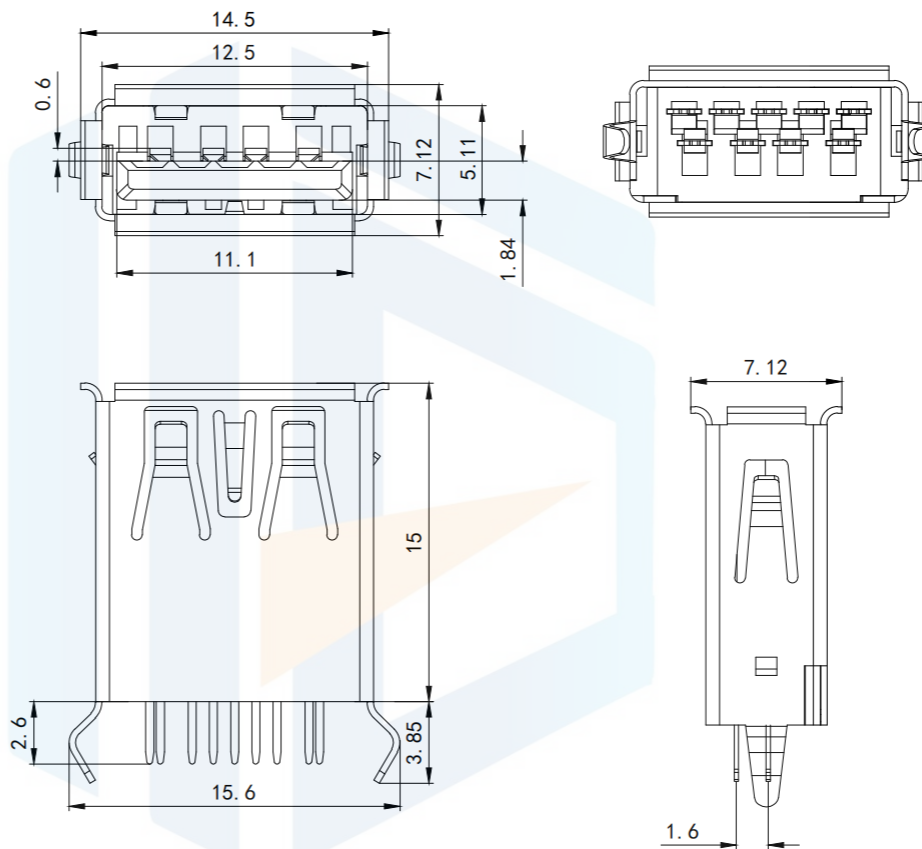
3. PLATING

3.1 TERMINAL:

50u" MIN NICKEL ALL OVER
100u" MIN Tin ON SOLDER AREA
(1~30)u"Au ON CONTACT AREA

3.2 SHELL: 80u" MIN. NICKEL ALL OVER

4. PART NO.:



Pin #	SIGNAL NAME
1	VBUS
2	D-
3	D+
4	GND
5	StdA_SSRX-
6	StdA_SSRX+
7	GND_DRAIN
8	StdA_SSTX-
9	StdA_SSTX+
Shell	Shield

TOLERANCE	
X. XXX	±0.05
X. XX	±0.15
X. X	±0.20
X.	±0.30
ANGLE	±5.0°

PROTECTON	

	东莞市恒祺电子科技有限公司 Dongguan Hengqi Electronic Technology Co., Ltd	
	https://www.hq-dz.com	phone: 15812872448
TITLE: USB3.0 A/F 立式插板15.0 卷边2脚定位K脚		PART NO: USB3.0-T018
		DRAWING NO: 15.0*14.5*7.12
DRAWN:		DATE: 18-10-08
CHECKED:		DATE: 18-10-08
APPROVED:		DATE: 18-10-08
		UNIT: mm
		SCALE: FULL
		SIZE: A4