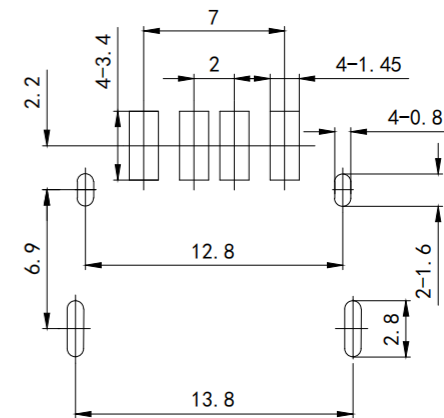
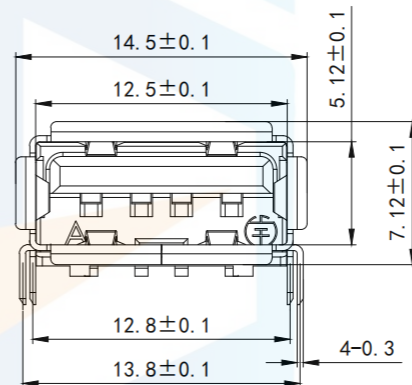
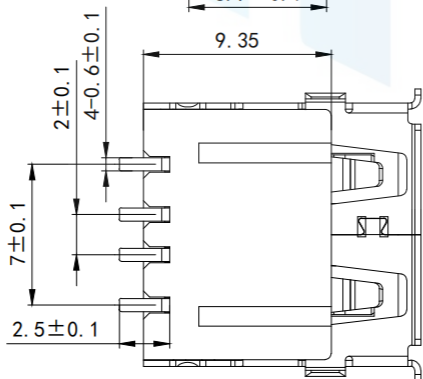
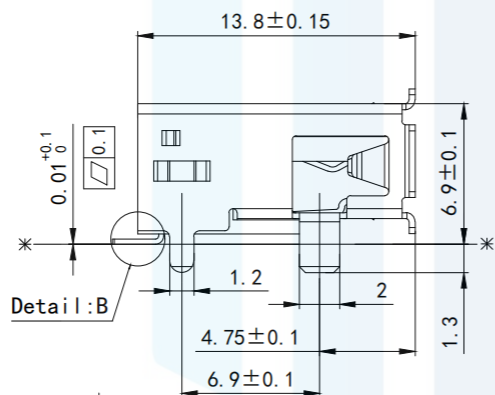
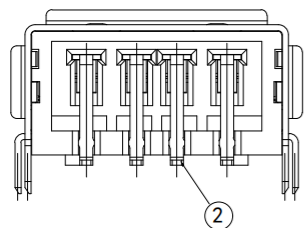
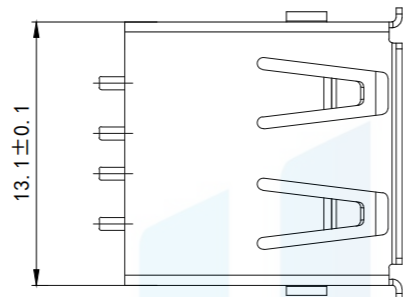
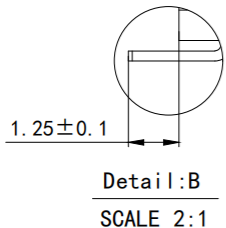
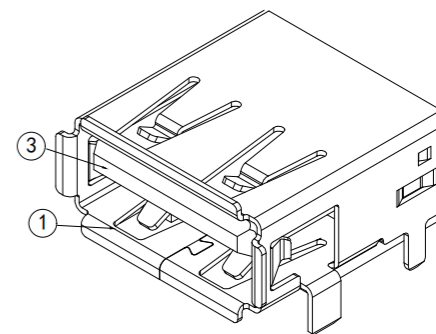


RoHS2.0
Compliant



RECOMMENDED P.C.B. LAYOUT (T: 1.00mm)
TOLERANCE UNSPECIFIED ± 0.05mm



NOTE:

MATERIAL SPECIFICATION:

1. HOUSING PA9T UL94 V0. COLOR IVORY
2. CONTACTS: COPPER ALLOY
3. SHELL: SPCC

SPECIFICATIONS:

Contact current Rating: 1 Amperes
Dielectric Withstanding Voltage: AC
100V (RMS) Insulation resistance: 100 Megohms Minimum.

Contact Resistance:

30m ohm Max for pin1~pin4
50m ohm Max for other contacts

Mechanical Characteristics.

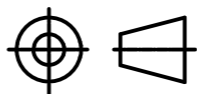
Mating Force: 35 Newtons. Maximum
Unmating Force: 10 Newtons. Minimum
8N Min After Durability

DURABILITY: MANDATORY: 1500 CYCLES

TOLERANCE

X. XXX	±0.05
X. XX	±0.15
X. X	±0.20
X.	±0.30
ANGLE	±5.0°

PROTECTON



东莞市恒祺电子科技有限公司
Dongguan Hengqi Electronic Technology Co., Ltd

<https://www.hq-dz.com>

phone: 15812872448

TITLE:

USB A/F板上4定位脚
端子SMT

PART NO: USB2.0-A213

DRAWING NO: 13.8*14.5*6.9

DRAWN:

CHECKED:

APPROVED:

DATE:

DATE:

DATE:

18-10-08

18-10-08

18-10-08

UNIT:
mm

SCALE:
FULL

SIZE:
A4