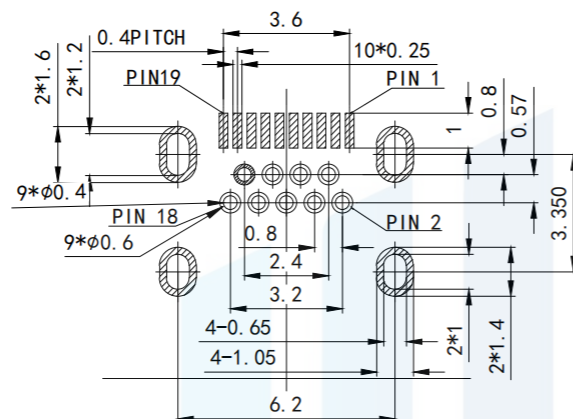
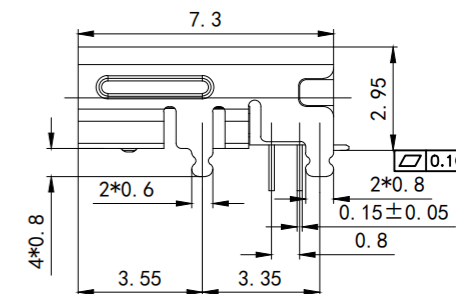
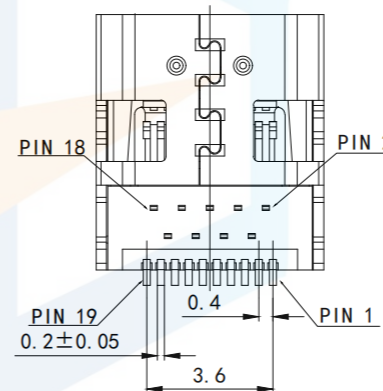
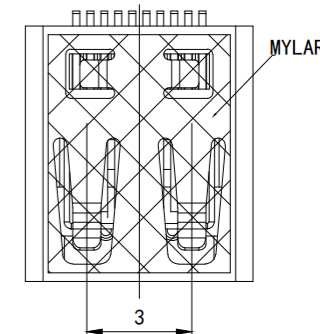
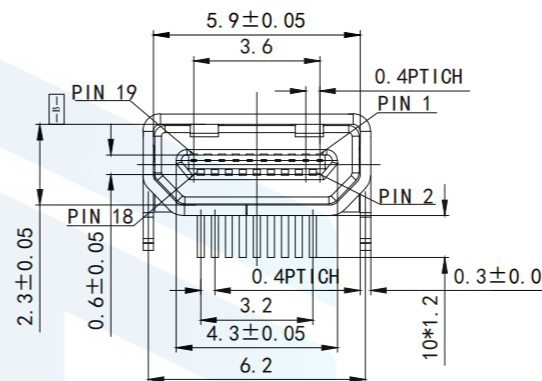


RoHS2.0
Compliant



RECOMMENDED PCB LAYOUT THICKNESS = 0.8 mm
TOLERANCE = ±0.05 (TOP VIEW)



NOTES:

1. MATERIAL SPECIFICATION

1-1. HOUSING: LCP+30% G. F

1-2. CONTACT: C5191-H T=0.15mm.

1-3. SHELL: SUS304-1/2H T=0.30mm

1-4. MYLAR: KAPTON BASE, POLYIMIDE TAPE

2. PLATING SPECIFICATION
2-1. CONTACT: NI40U' UNDER PLATED, GOLD FLASH PLATED ON THE FUNCTIONAL AREA OF CONTACT, GOLD PLATING OR TIN ON SOLDER AREA

2-2. SHELL: NICKEL PLATED.

3. MECHANICAL PERFORMANCE

3-1. INSERTION FORCE: 44.1N(4.5 KGf) MAX.

3-2. WITHDRAWAL FORCE: 4.9N~25N(0.5KGf~2.5KGf)

3-3. DURABILITY: 5000 CYCLES

4. ELECTRICAL PERFORMANCE

4-1. CURRENT RATING: 0.3A. MAX (INITIAL), SHELL: 50 mA MAX (INITIAL)

4-2. LLCR: CONTACT: 30 ma

4-3. INSULATION RESISTANCE:

A: UNMATED: 100 MΩ MIN. AT 500V DC

B: MATED: 10 MΩ MIN. AT 150V DC.

4-4. DIELECTRIC WITHSTAND VOLTAGE:

150V AC/60S (MATED), 250V AC/60S (UNMATED)

5. IR REFLOW:

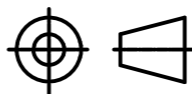
THE PEAK TEMPERATURE ON BOARD SHALL BE MAINTAINED FOR 10 SECONDS AT 260±5° C

6. OPERATING TEMPERATURE RANGE: -20° C~85° C (WITHOUT LOSS FUNCTION)

TOLERANCE

X. XXX	±0.05
X. XX	±0.15
X. X	±0.20
X.	±0.30
ANGLE	±5.0°

PROTECTON



东莞市恒祺电子科技有限公司

Dongguan Hengqi Electronic Technology Co., Ltd

<https://www.hq-dz.com>

phone: 15812872448

TITLE:

HDMI TYPE D FEMALE DIP SMT TYPE
(端子脚长1.20外壳脚长0.80MM外壳脚距3.35MM)

PART NO: HDMI-DF013

DRAWING NO: 7.3*6.2*3

DRAWN:

CHECKED:

APPROVED:

DATE:

DATE:

DATE:

18-10-08

18-10-08

18-10-08

UNIT:
mm

SCALE:
FULL

SIZE:
A4