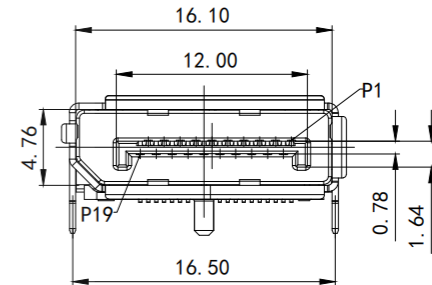
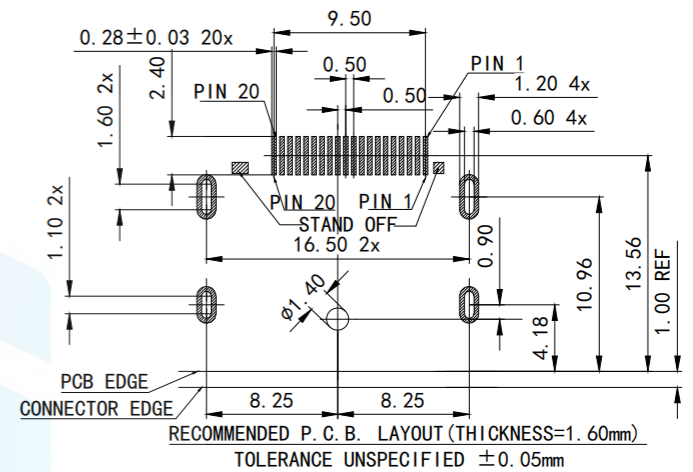
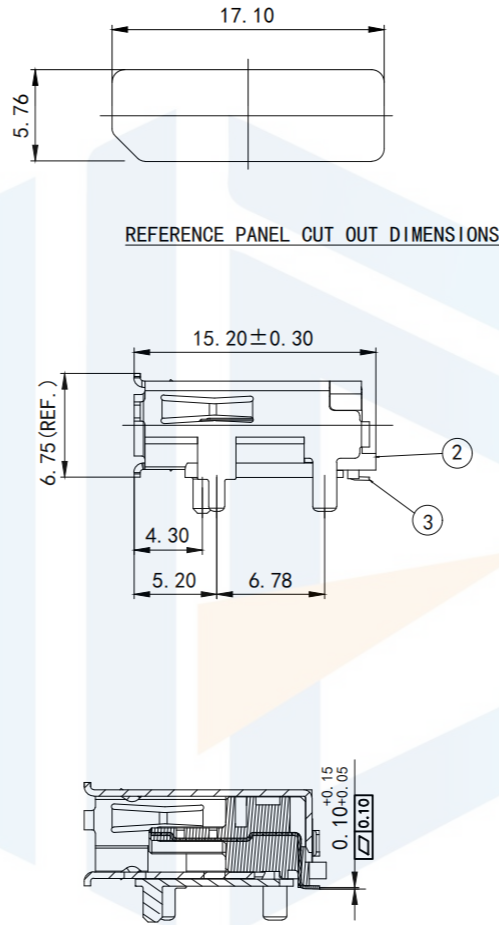
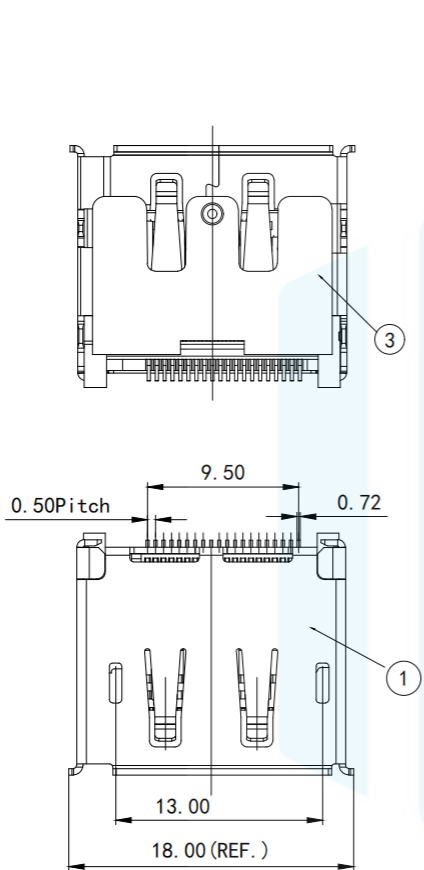


RoHS2.0
Compliant



SPECIFICATIONS

1. MECHANICAL :


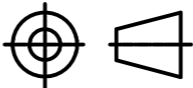
- 1.1 INSERTION FORCE :44.1 N MAX
- 1.2 WITHDRAWAL FORCE :9.8 N MIN.
- AFTER 5,000 CYCLES MATING: 0.5kgf MIN.

2. ELECTRICAL :

- 2.1 CONTACT CURRENT RATING: 0.5A MIN.
- 2.2 VOLTAGE RATING :40V AC (rms)
- 2.3 WITHSTANDING VOLTAGE: 500 VAC FOR 1 MINUTE.
- 2.4 INSULATION RESISTANCE: 100 MEGAOHMS MIN
- 2.5 CONTACT RESISTANCE: 30 MILLIOHMS MAX.

3. ENVIRONMENTAL :

- 3.1 OPERATING TEMPERATURE:-25° C TO +85° C

TOLERANCE	X. XXX	±0.05		东莞市恒祺电子科技有限公司 Dongguan Hengqi Electronic Technology Co., Ltd		
	X. XX	±0.15		https://www.hq-dz.com phone:15812872448		
PROTECTON 	X. X	±0.20	TITLE: DisplayPort 20PIN 母座 有卷边 SMT卧贴式有柱四脚插板90度DIP		PART NO:HDMI-DP020	
	X.	±0.30	DRAWN:		DATE: 18-10-08	
	ANGLE	±5.0°	CHECKED:		DATE: 18-10-08	
			APPROVED:		DATE: 18-10-08	
					UNIT: mm SCALE: FULL SIZE: A4	