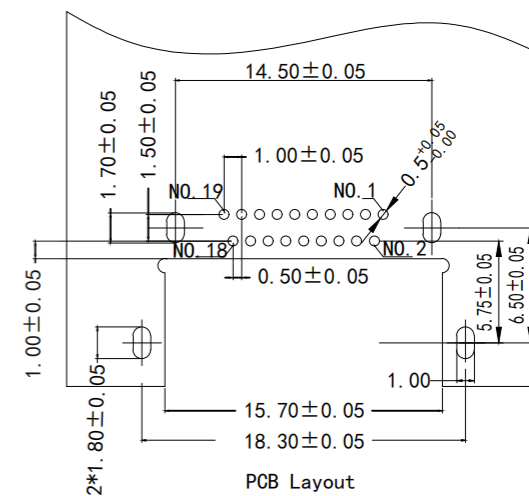
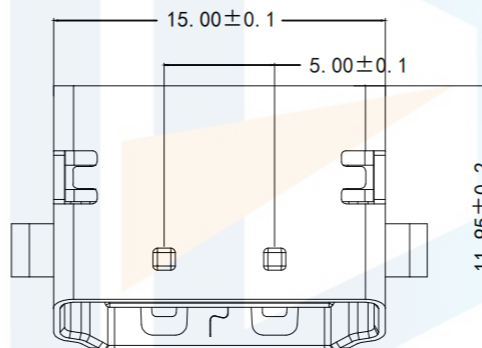
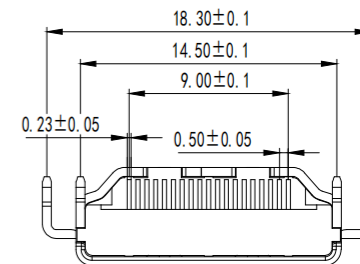
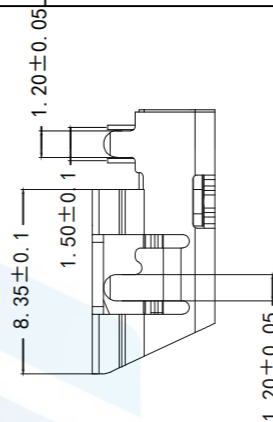
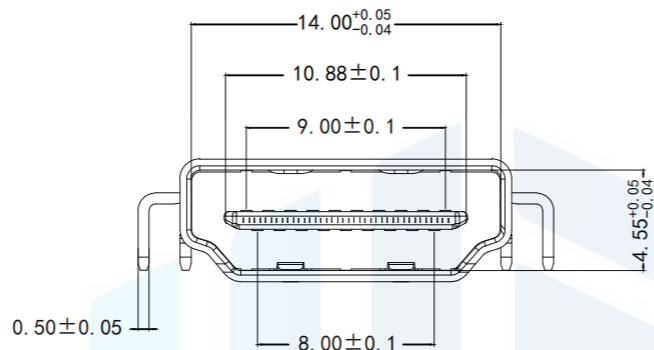
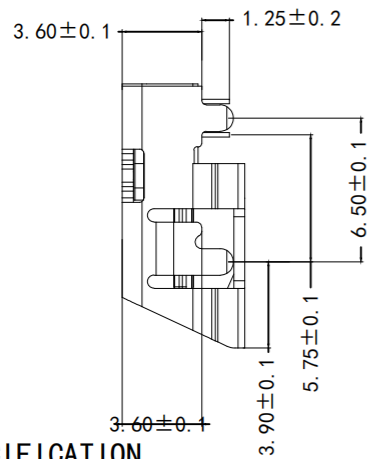


RoHS2.0  
Compliant



**SPECIFICATION**

**1. Electrical characteristics**

Contact Current Rating:0.5 A

Dielectric Withstanding Voltage:300V AC

Insulation Resistance:a. Mate 100MΩ MIN at 500V/DC

b. Unmate 10MΩ MIN at 150V/DC

Contact Resistance:30mΩ MAX

Temperature Range:-20° C to +85° C

**2. Mechanical**

Mating Face:44.1N MAX

Unmating Face:9.8N MIN;39.2N MAX

Durability:5000 Cycles

**3. material:**

HOUSING:THERMOPLASTICS HIGH TEMP LCP+GLASS

FIBER WHITE COLOR, UL94V-0

CONTACT:Copper Alloy , T=0.20MM

SHELL:Copper Alloy (SPCC) , T=0.50MM

**4. PLATING:**

CONTACT:1~30u" GOLD/TIN PLATING ON CONTACT AREA

100u"MIN, TIN PLATING ON SOLDER TAILS

50u"MIN, NICKEL UNDERPLATING OVER ALL

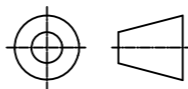
SHELL:80u", NICKEL UNDERPLATING OVER ALL

**5. "\*"Key control size**

**TOLERANCE**

X. XXX	±0.05
X. XX	±0.15
X. X	±0.20
X.	±0.30
ANGLE	±5.0°

**PROTECTON**



东莞市恒祺电子科技有限公司

Dongguan Hengqi Electronic Technology Co., Ltd

<https://www.hq-dz.com>

phone:15812872448

**TITLE:**

HDMI 19P正向沉板 DIP3.6MM斜口

**PART NO:** HDMI-DF200

**DRAWING NO:** 15\*11.95\*5

**DRAWN:**

**DATE:** 18-10-08

**UNIT:**  
mm

**CHECKED:**

**DATE:** 18-10-08

**SCALE:**  
FULL

**APPROVED:**

**DATE:** 18-10-08

**SIZE:**  
A4