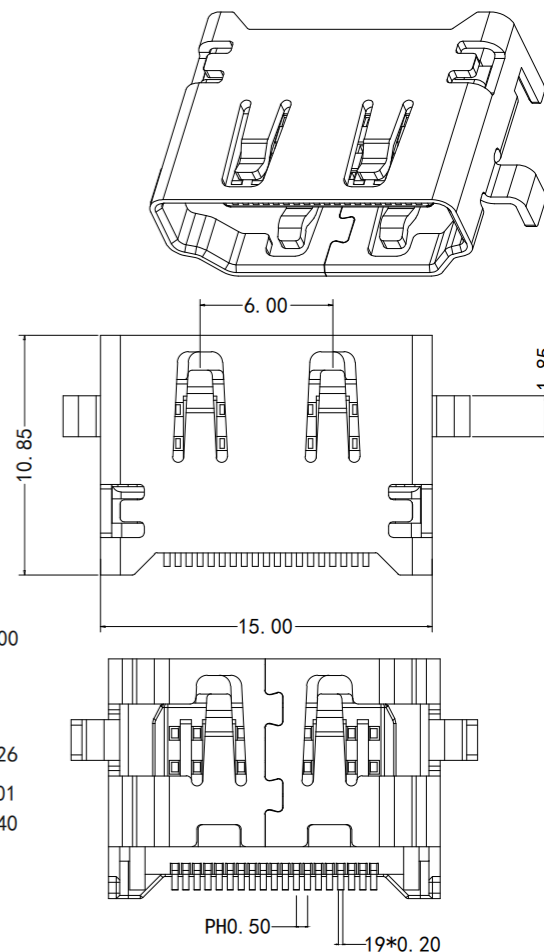
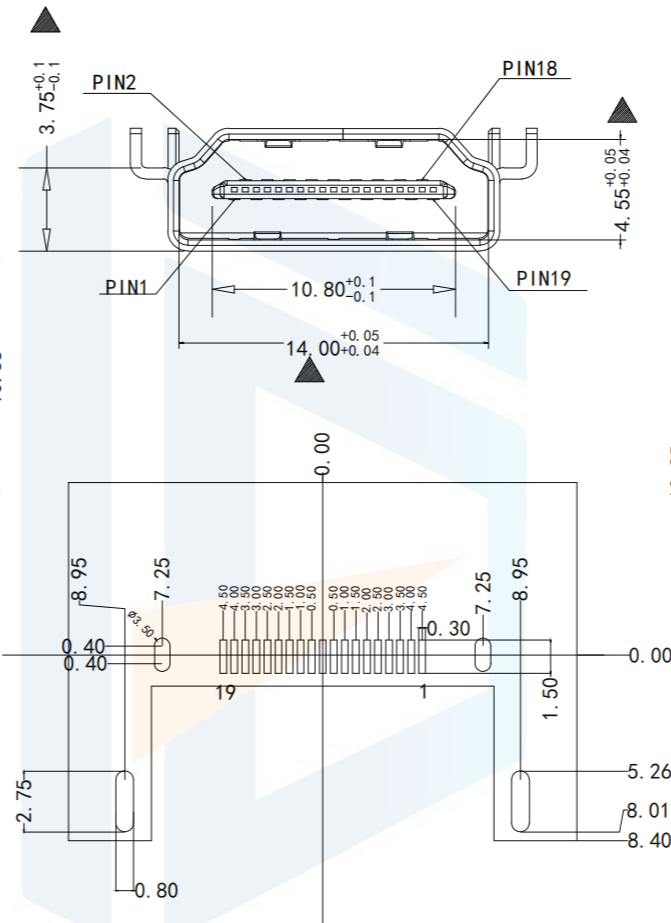
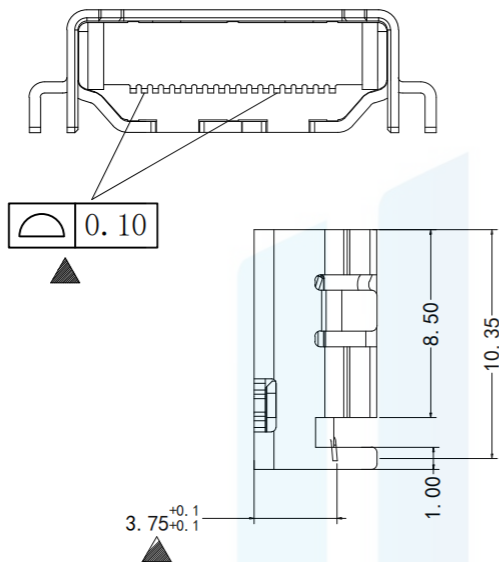


RoHS2.0
Compliant



SPECIFICATION

1. Electrical characteristics

Contact Current Rating:0.5 A

Dielectric Withstanding Voltage:300V AC

Insulation Resistance:a. Mate 100MΩ MIN at 500V/DC
b. Unmate 10MΩ MIN at 150V/DC

Contact Resistance:30mΩ MAX

Temperature Range:-20° C to +85° C

2. Mechanical

Mating Face:44.1N MAX

Unmating Face:9.8N MIN;39.2N MAX

Durability:5000 Cycles

3. material:

HOUSING:THERMOPLASTICS HIGH TEMP LCP+GLASS
FIBER WHITE COLOR, UL94V-0

CONTACT:Copper Alloy , T=0.20MM

SHELL:Copper Alloy (SPCC) , T=0.50MM

4. PLATING:

CONTACT:1~30u" GOLD/TIN PLATING ON CONTACT AREA

100u"MIN, TIN PLATING ON SOLDER TAILS

50u"MIN, NICKEL UNDERPLATING OVER ALL

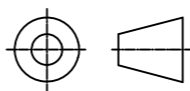
SHELL:80u", NICKEL UNDERPLATING OVER ALL

5. "*"Key control size

TOLERANCE

| | |
|--------|-------|
| X. XXX | ±0.05 |
| X. XX | ±0.15 |
| X. X | ±0.20 |
| X. | ±0.30 |
| ANGLE | ±5.0° |

PROTECTON



东莞市恒祺电子科技有限公司
Dongguan Hengqi Electronic Technology Co., Ltd

<https://www.hq-dz.com>

phone:15812872448

TITLE:

HDMI 19P 正向沉板3.75mm

PART NO:HDMI-DF109

DRAWING NO:15*1.85*5.5

DRAWN:

DATE: 18-10-08

UNIT:
mm

CHECKED:

DATE: 18-10-08

SCALE:
FULL

APPROVED:

DATE: 18-10-08

SIZE:
A4