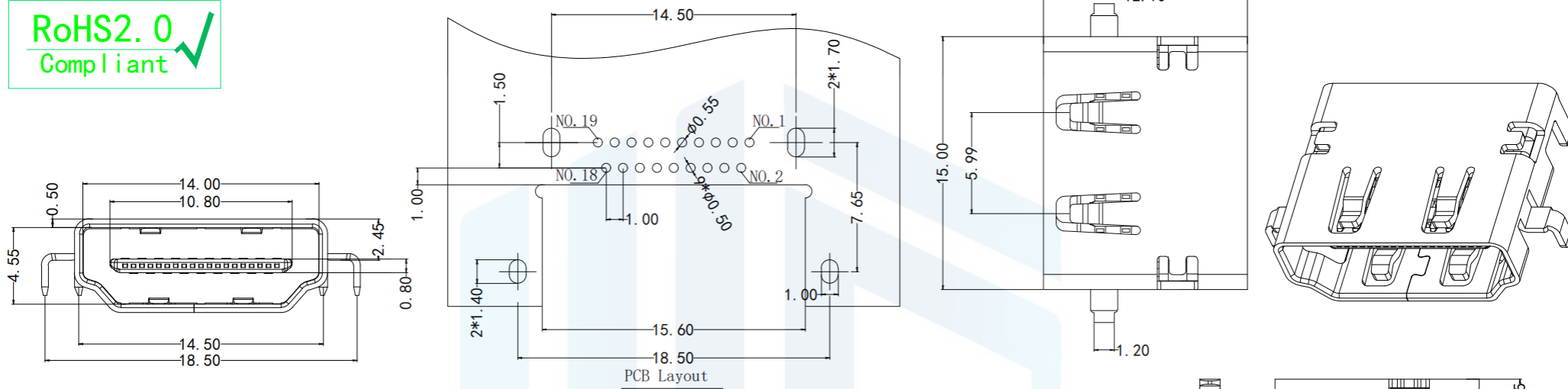


RoHS2.0
Compliant



SPECIFICATION

1. Electrical characteristics

Contact Current Rating: 0.5 A

Dielectric Withstanding Voltage: 300V AC

Insulation Resistance: a. Mate 100MΩ MIN at 500V/DC

b. Unmate 10MΩ MIN at 150V/DC

Contact Resistance: 30mΩ MAX

Temperature Range: -20° C to +85° C

2. Mechanical

Mating Face: 44.1N MAX

Unmating Face: 9.8N MIN; 39.2N MAX

Durability: 5000 Cycles

3. material:

HOUSING: THERMOPLASTICS HIGH TEMP LCP+GLASS

FIBER WHITE COLOR, UL94V-0

CONTACT: Copper Alloy, T=0.20MM

SHELL: Copper Alloy (SPCC), T=0.50MM

4. PLATING:

CONTACT: 1~30u" GOLD/TIN PLATING ON CONTACT AREA

100u" MIN, TIN PLATING ON SOLDER TAILS

50u" MIN, NICKEL UNDERPLATING OVER ALL

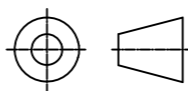
SHELL: 80u", NICKEL UNDERPLATING OVER ALL

5. "*" Key control size

TOLERANCE

X. XXX	±0.05
X. XX	±0.15
X. X	±0.20
X.	±0.30
ANGLE	±5.0°

PROTECTON



东莞市恒祺电子科技有限公司

Dongguan Hengqi Electronic Technology Co., Ltd

<https://www.hq-dz.com>

phone: 15812872448

TITLE:

HDMI 19P 正向沉板 2.45mm

PART NO: HDMI-DF119

DRAWING NO: 15*12.1*5.5

DRAWN:

DATE: 18-10-08

UNIT:
mm

CHECKED:

DATE: 18-10-08

SCALE:
FULL

APPROVED:

DATE: 18-10-08

SIZE:
A4