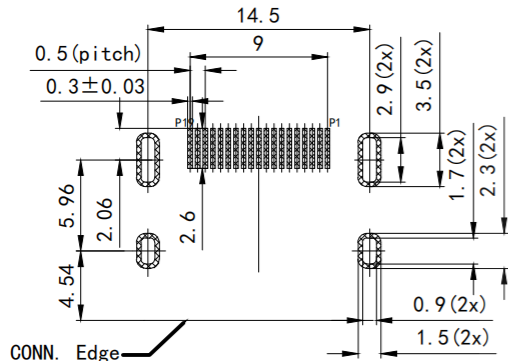
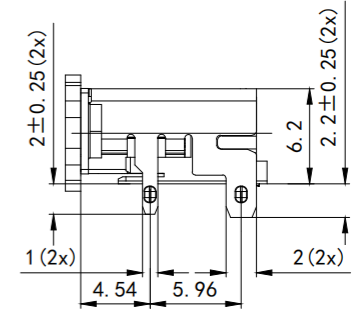
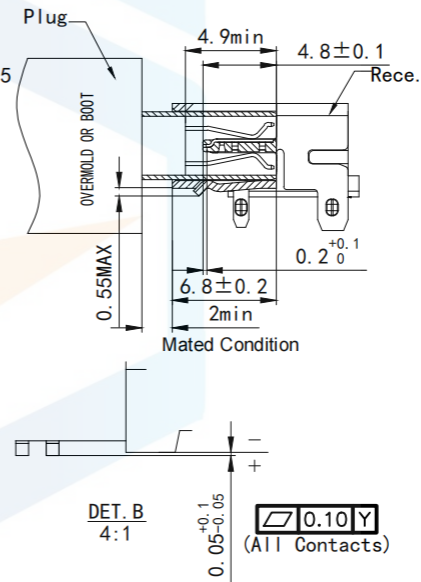
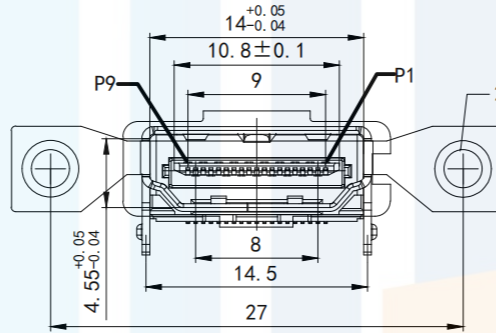
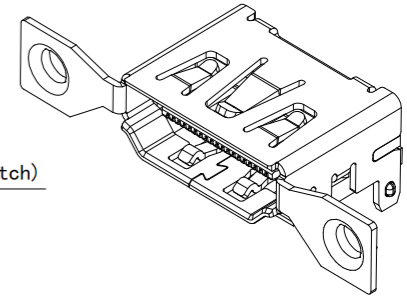
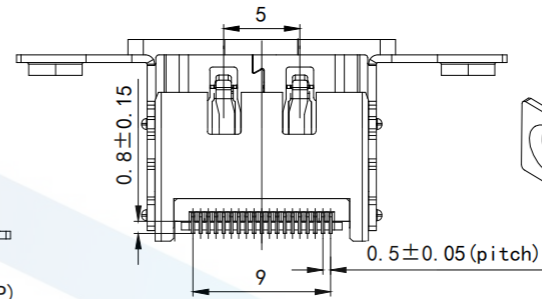
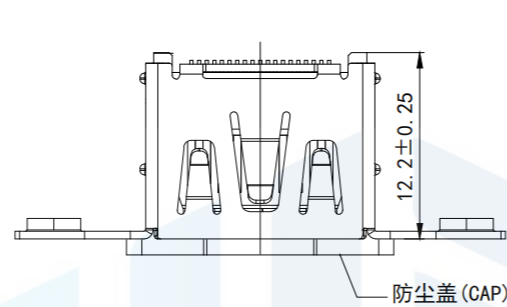



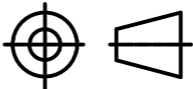
RoHS2.0  
Compliant



RECOMMENDED PCB LAYOUT (TOP VIEW)  
GENERAL TOLERANCES: ±0.05 (T=1.6)



- NOTES:
- MATERIAL AND PLATING: Housing: LCP+30%G. F, UL94V-0, BlackCAP: LCP+30%G. F, UL94V-0, Black Contact: Copper Alloy, Au And Sn Plated. Shell: C2680-H, Ni Plated.
  - MECHANICAL CHARACTERISTIC Mating Force: 44.1N(4.5KgF) max. Unmating Force: 9.8N~39.2(1~4KgF). Durability: 10,000 Cycles.
  - ELECTRICAL CHARACTERISTIC Contact Resistance: 30m Ohm Max. Insulation Resistance: 100M Ohm Min(unmated) 10M Ohm Min(mated) Dielectric Withstanding Voltage: 500V AC Min
  - TEMPERATURE Operating Temperature: -40° C~+85° C Storage Temperature: -60° C~+105° C

TOLERANCE	X. XXX	±0.05	 <b>东莞市恒祺电子科技有限公司</b> Dongguan Hengqi Electronic Technology Co., Ltd			
	X. XX	±0.15				
X. X	±0.20					
X.	±0.30					
ANGLE		±5.0°	<a href="https://www.hq-dz.com">https://www.hq-dz.com</a> phone: 15812872448			
PROTECTON 	DRAWN:		TITLE:	HDMI 19P侧面双螺丝孔	PART NO: HDMI-DF060	
	CHECKED:		DRAWING NO: 27*12.2*4.55	DATE:	18-10-08	UNIT: mm
	APPROVED:		DATE:	18-10-08	SCALE: FULL	SIZE: A4