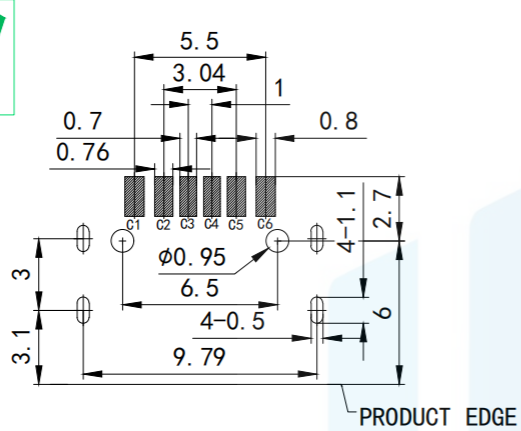
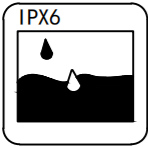
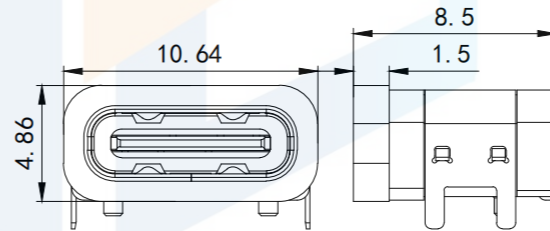
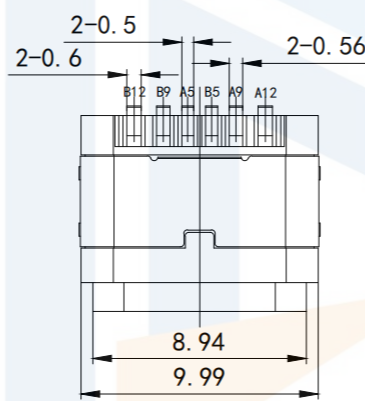
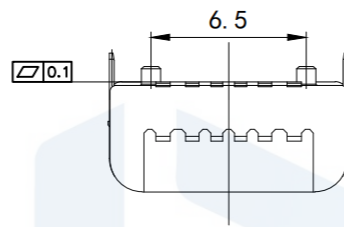


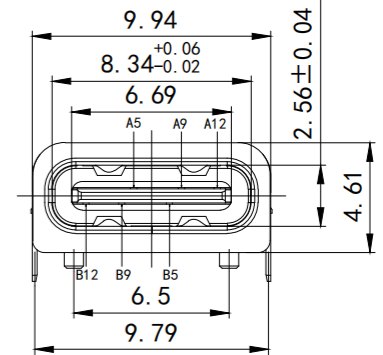
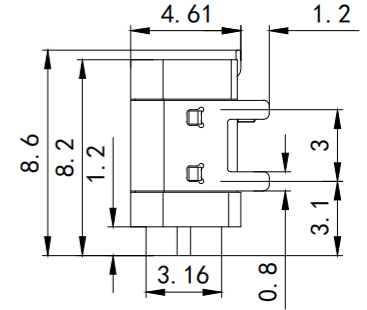
RoHS2.0
Compliant



RECOMMEND P.C.B LAYOUT (COMPONENT SIDE)
TOLERANCE FOR PCB LAYOUT IS ± 0.05



加防水圈示意图



NOTES:

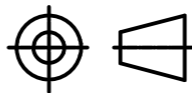
SPECIFICATION:

1. CURRENT RATING: 3.0A MAX
2. VOLTAGE: 100 VAC
3. TEMPERATURE RANGE: $-30^{\circ}\text{C} \sim +85^{\circ}\text{C}$
4. CONTACT RESISTANCE: 40 MILLIONHM MAX
5. INSULATION RESISTANCE: 100 MEGOHMS MIN
6. INSERTION FORCE: 5N~20N
7. UNMATING FORCE: 8N-20N
8. DURABILITY: 10000 CYCLES
9. THE PEAK TEMPERATURE ON THE BOARD SHALL BE MAINTAINED FOR 10 SECONDS AT $210-230^{\circ}\text{C}$
10. WATER PROOFNESS: THIS PRODUCT IS BASED ON IPX6.

TOLERANCE

X. XXX	± 0.05
X. XX	± 0.15
X. X	± 0.20
X.	± 0.30
ANGLE	$\pm 5.0^{\circ}$

PROTECTON



东莞市恒祺电子科技有限公司

Dongguan Hengqi Electronic Technology Co., Ltd

<https://www.hq-dz.com>

phone: 15812872448

TITLE:

TYPE C 6P 板上防水母座A款外壳4脚
插板, 端子SMT

PART NO: TYPE-C6P-BS0821FS

DRAWING NO: 10.64*4.86*8.2

DRAWN:

CHECKED:

APPROVED:

DATE: 18-10-08

DATE: 18-10-08

DATE: 18-10-08

UNIT:
mm

SCALE:
FULL

SIZE:
A4