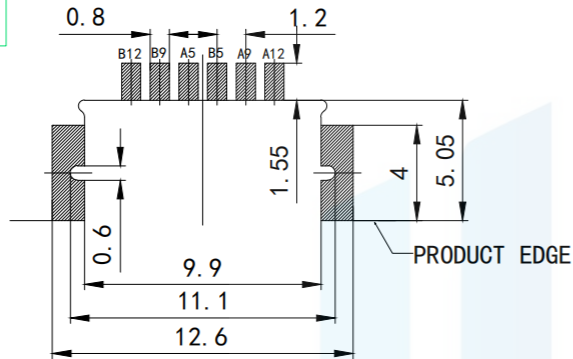


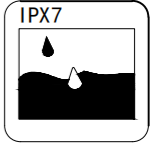
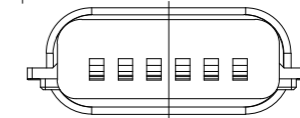
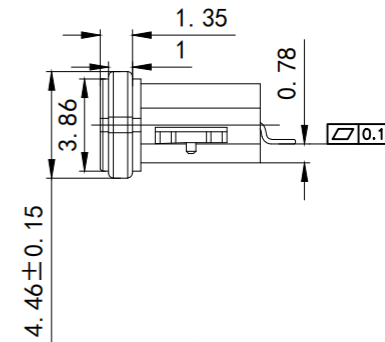
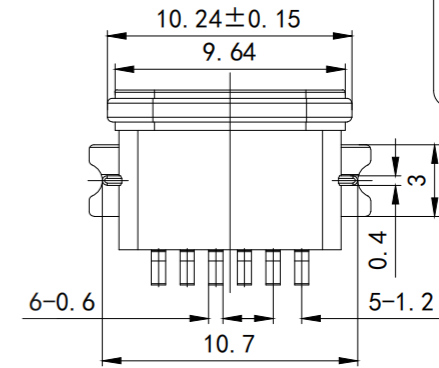
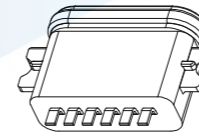
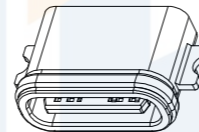
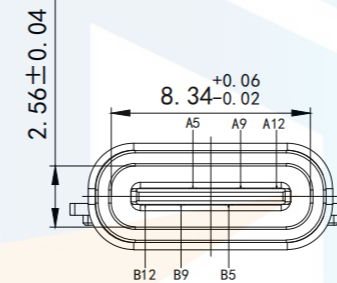
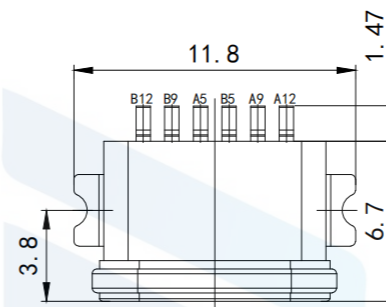
RoHS2.0
Compliant



RECOMMEND P.C.B LAYOUT (COMPONENT SIDE)
TOLERANCE FOR PCB LAYOUT IS ± 0.05

NOTE:

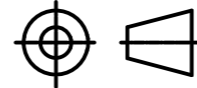
1. Electrical characteristics:
 - 1.1. Contact area: contact resistance 40mΩ Max, allowing 10mΩ variation
Test conditions :20mv, 100mA measurement.
 - 1.2. Contact current: 3A VBUS pin; 1.25A for GND Pin; The other pins are 0.25A.
 - 1.3. Rated voltage: 5V.
 - 1.4. Withstand voltage: 100VAC.
 - 1.5. Insulation resistance: at least 100 megohm.
2. Mechanical properties:
 - 3.1. Insertion force: 0.5-2.0Kg
 - 3.2. Pullout force: 0.6-2.04Kg
 - 3.3. Insertion and removal times: 10000 times.
 4. Weldability: temperature 210-230°C, time 10 seconds
 5. Working environment: -20°C to +85°C.



TOLERANCE

X. XXX	±0.05
X. XX	±0.15
X. X	±0.20
X.	±0.30
ANGLE	±5.0°

PROTECTON



东莞市恒祺电子科技有限公司
Dongguan Hengqi Electronic Technology Co., Ltd

<https://www.hq-dz.com> phone:15812872448

TITLE:

TYPE C 6P 沉板0.8防水母座L=6.7mm
粉末冶金外壳

PART NO:TYPE-C6P-CB1067FS

DRAWING NO:10.24*4.46*6.7

DRAWN:

CHECKED:

APPROVED:

DATE: 18-10-08

DATE: 18-10-08

DATE: 18-10-08

UNIT:
mm

SCALE:
FULL

SIZE:
A4