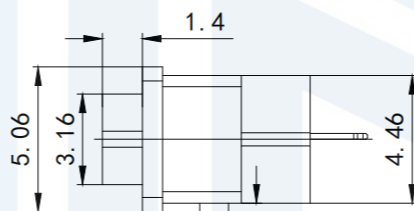
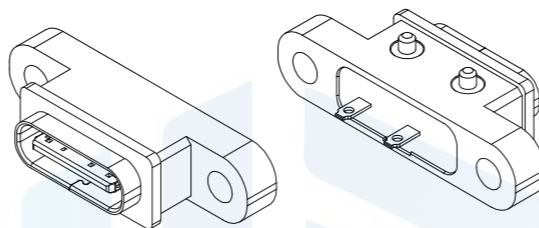
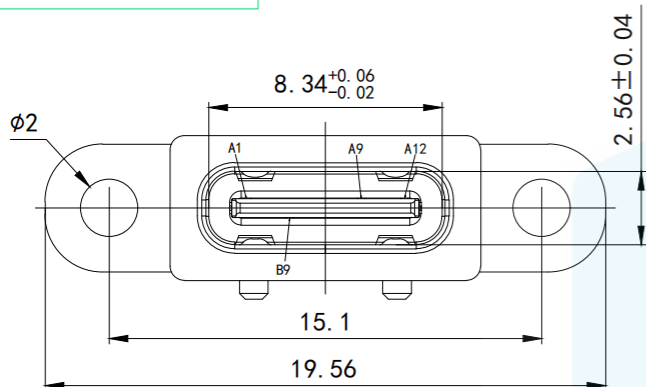
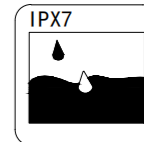
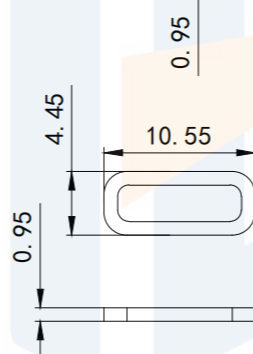


RoHS2.0
Compliant

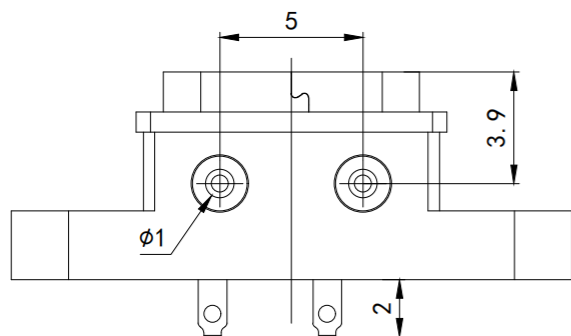
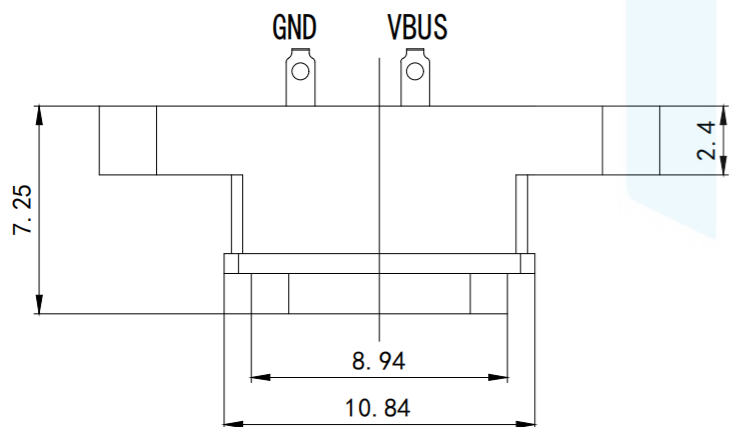


NOTE:

1. Electrical characteristics:
 - 1.1. Contact area: contact resistance 40mΩ Max, allowing 10mΩ variation
Test conditions :20mv, 100mA measurement.
 - 1.2. Contact current: 3A Max.
 - 1.3. Rated voltage: 30V.
 - 1.4. Withstand voltage: 100VR. M. S.
 - 1.5. Insulation resistance: at least 100 megohm.
2. Mechanical properties:
 - 3.1. Insertion force: 0.51-2.04Kg
 - 3.2. Pullout force: 0.82-2.04Kg
 - 3.3. Durability: 0.61-2.04Kg
 - 3.4. Insertion and removal times: 10000 times.
4. Working environment: -20°C to +85°C.

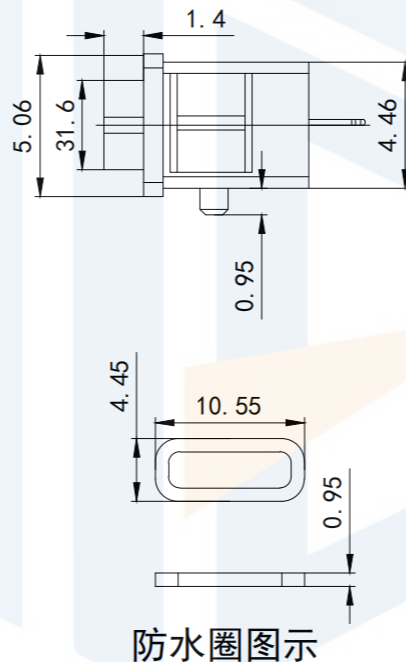
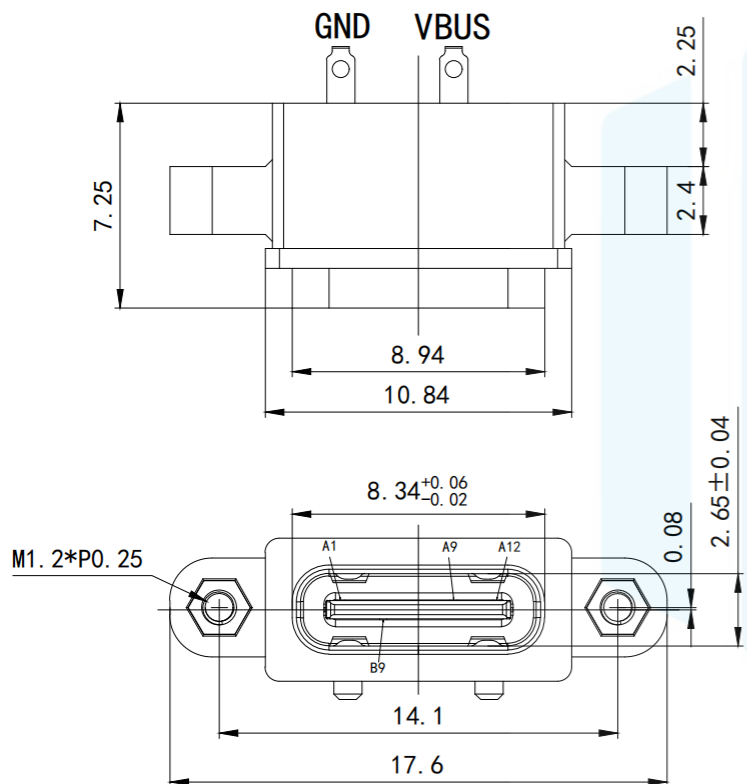
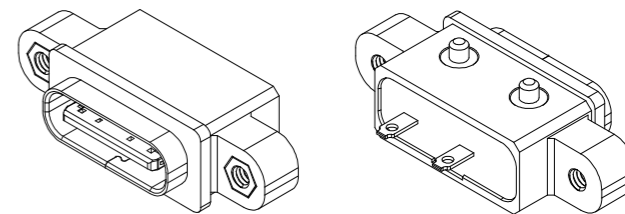
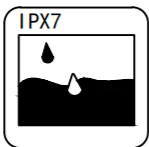


防水圈图示



TOLERANCE				东莞市恒祺电子科技有限公司 Dongguan Hengqi Electronic Technology Co., Ltd			
X. XXX	±0.05						
X. XX	±0.15	https://www.hq-dz.com		phone:15812872448			
X. X	±0.20	TITLE: TYPE C 2P焊线式防水母座L=7.25		PART NO:TYPE-C2P-BS0725FS			
X.	±0.30			DRAWING NO:19.56*4.46*7.25			
ANGLE	±5.0°	PROTECTON 		DRAWN:			
				CHECKED:		DATE:	18-10-08
				APPROVED:		DATE:	18-10-08
				UNIT:	mm		
				SCALE:	FULL		
				SIZE:	A4		

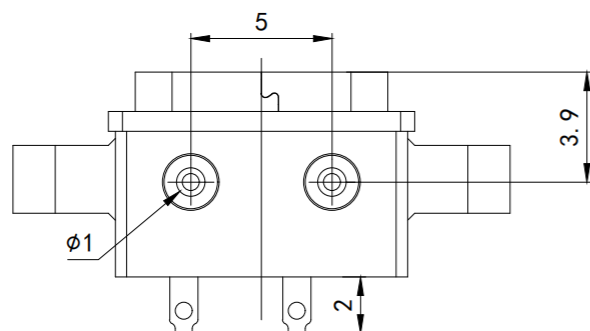
RoHS2.0
Compliant


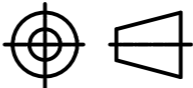


防水圈图示

NOTE:

1. Electrical characteristics:
 - 1.1. Contact area: contact resistance 40mΩ Max, allowing 10mΩ variation
Test conditions :20mv, 100mA measurement.
 - 1.2. Contact current: 3A Max.
 - 1.3. Rated voltage: 30V.
 - 1.4. Withstand voltage: 100VR. M. S.
 - 1.5. Insulation resistance: at least 100 megohm.
2. Mechanical properties:
 - 3.1. Insertion force: 0.51-2.04Kg
 - 3.2. Pullout force: 0.82-2.04Kg
 - 3.3. Durability: 0.61-2.04Kg
 - 3.4. Insertion and removal times: 10000 times.
4. Working environment: -20°C to +85°C.



TOLERANCE		 东莞市恒祺电子科技有限公司 Dongguan Hengqi Electronic Technology Co., Ltd		
X. XXX	±0.05			
X. XX	±0.15	https://www.hq-dz.com phone:15812872448		
X. X	±0.20	TITLE: TYPE C 2P焊线式防水母座(带螺母)L=7.25		
X.	±0.30	PART NO: TYPE-C2P-BS1725FS		
ANGLE	±5.0°	DRAWING NO: 17.6*5.06*7.25		
PROTECTON 		DRAWN:	DATE: 18-10-08	UNIT: mm
		CHECKED:	DATE: 18-10-08	SCALE: FULL
		APPROVED:	DATE: 18-10-08	SIZE: A4