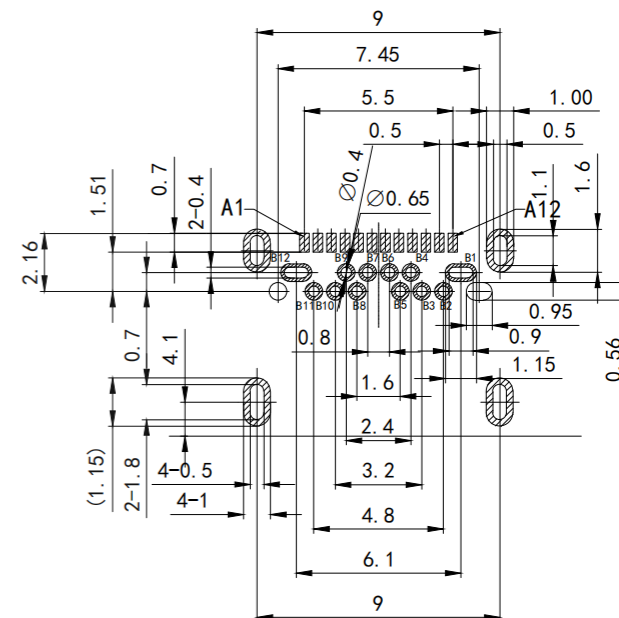
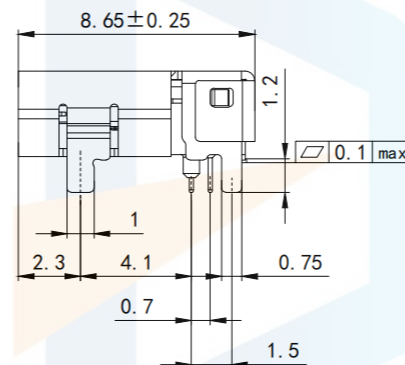
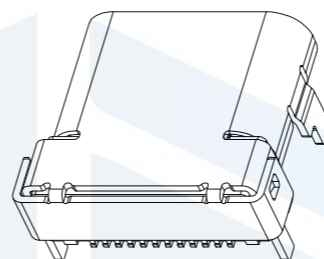
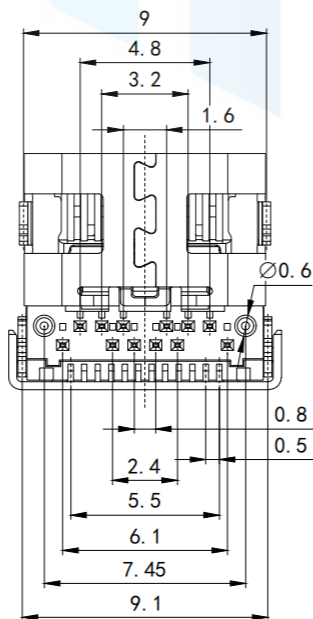
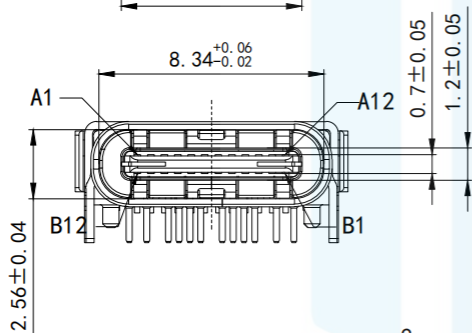
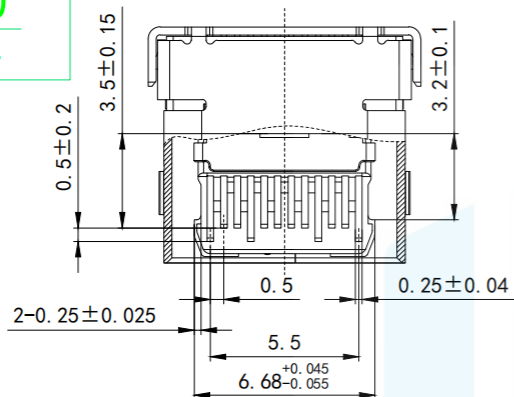


RoHS2.0
Compliant



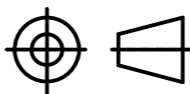
RECOMMEND P. C. B LAYOUT (COMPONENT SIDE)
TOLERANCE FOR PCB LAYOUT IS + 0.05

- NOTES:
SPECIFICATION:
1. CURRENT RATING: 5.0A MAX
 2. VOLTAGE: 100 VAC
 3. TEMPERATURE RANGE: -30C~85*C
 4. CONTACT RESISTANCE: 40 MILLIONHM MAX
 5. INSULATION RESISTANCE: 100 MEGOHMS MIN.
 6. INSERTION FORCE :5N~20N
 7. UNMATING FORCE:8N~20N
 8. DURABILITY:10000 CYLES

TOLERANCE

X. XXX	±0.05
X. XX	±0.15
X. X	±0.20
X.	±0.30
ANGLE	±5.0°

PROTECTON



东莞市恒祺电子科技有限公司
Dongguan Hengqi Electronic Technology Co., Ltd

<https://www.hq-dz.com>

phone:15812872448

TITLE:

TYPE C 24P板上前插后贴
4脚定位插板

PART NO:TYPE-C24P-BS865

DRAWING NO:8.65*9*2.56

DRAWN:

CHECKED:

APPROVED:

DATE:

DATE:

DATE:

18-10-08

18-10-08

18-10-08

UNIT:
mm

SCALE:
FULL

SIZE:
A4