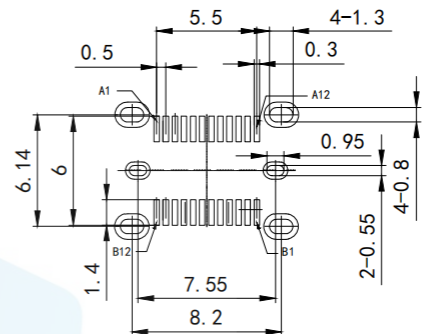


RoHS2.0
Compliant

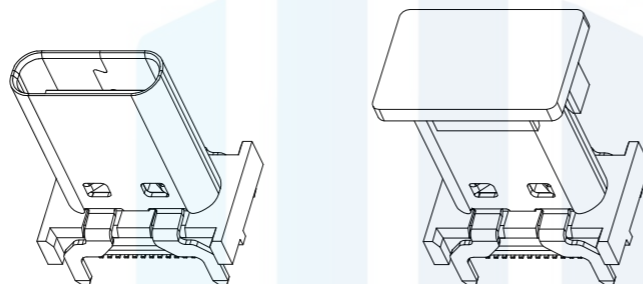
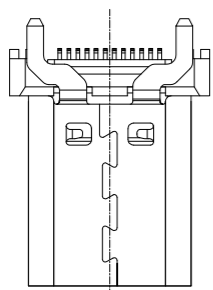
L=MM

A	B	C	D	E	F	G	H	L
12.0	13.0	13.5	15.0					



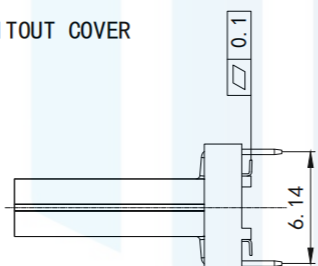
RECOMMEND P. C. B LAYOUT (COMPONENT SIDE)
TOLERANCE FOR PCB LAYOUT IS ±0.05
KEEP OUT AREA

Pin	Signal Name	Description	Pin	Signal Name	Description
A1	GND	Ground return	B12	GND	Ground return
A2	SSRX1	Positive half of first SuperSpeed TX differential pair	B11	SSRX1	Positive half of first SuperSpeed TX differential pair
A3	SSRX1	Negative half of first SuperSpeed TX differential pair	B10	SSRX1	Negative half of first SuperSpeed TX differential pair
A4	VBUS	Bus Power	B9	VBUS	Bus Power
A5	CC1	Configuration Channel	B8	CC1	Configuration Channel
A6	DP1	Positive half of USB 2.0 differential pair-Position 1	B7	DN2	Positive half of USB 2.0 differential pair-Position 2
A7	DN1	Negative half pair-Position 1 of the USB 2.0 differential pair	B6	DP2	Negative half pair-Position 2 of the USB 2.0 differential pair
A8	SBU1	Sideband Use (SBU)	B5	SBU1	Sideband Use (SBU)
A9	VBUS	Bus Power	B4	VBUS	Bus Power
A10	SSRX2	Negative half of second SuperSpeedRX differential pair	B3	SSRX2	Negative half of second SuperSpeedRX differential pair
A11	SSRX2	Positive half of second SuperSpeedRX differential pair	B2	SSRX2	Positive half of second SuperSpeedRX differential pair
A12	GND	Ground return	B1	GND	Ground return

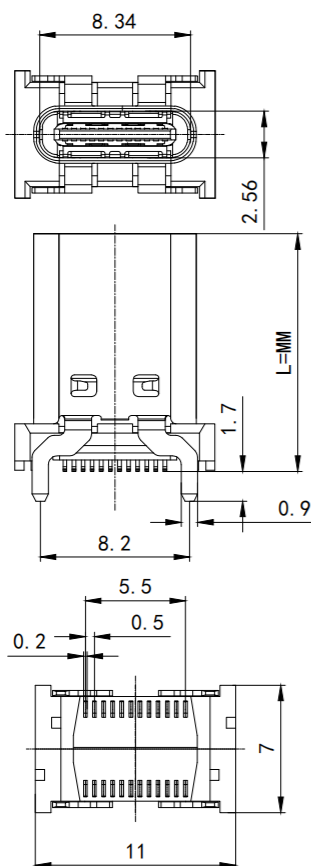


WITHOUT COVER

WITH COVER



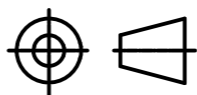
1. Contact Resistance: 40mOHM Max. ;
2. Dielectric Withstanding Voltage: 100V AC For 1 Minute;
3. Insulation Resistance: 100M OHM Min. ;
4. Mating And Unmating Force: Mating Force: 5~20N Unmating Force: 8~20N (0~1000cycle) ; 6~20N (1001~10000cycle) ;
5. Durability: 10000 Cycles;



TOLERANCE

X. XXX	±0.05
X. XX	±0.15
X. X	±0.20
X.	±0.30
ANGLE	±5.0°

PROTECTON



东莞市恒祺电子科技有限公司
Dongguan Hengqi Electronic Technology Co., Ltd

<https://www.hq-dz.com>

phone: 15812872448

TITLE:

TYPE C 24P 立式贴片大脚 L=MM
4脚插板

PART NO: TYPE-C24P-LT012-L=MM

DRAWING NO: 8.34*7*L=MM

DRAWN:

CHECKED:

APPROVED:

DATE:

DATE:

DATE:

18-10-08

18-10-08

18-10-08

UNIT:

SCALE:

SIZE:

mm

FULL

A4