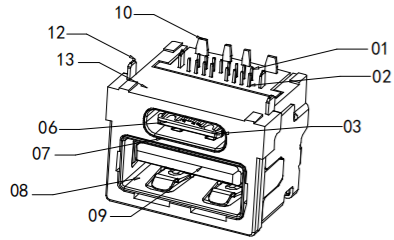
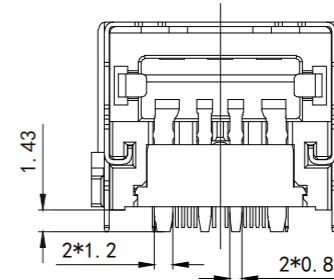
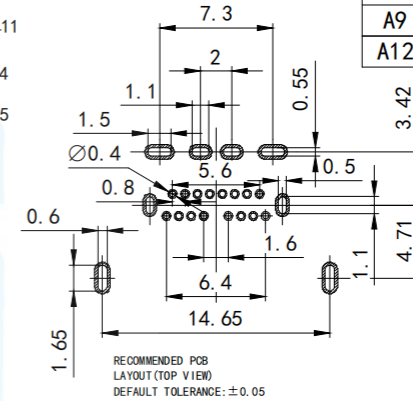
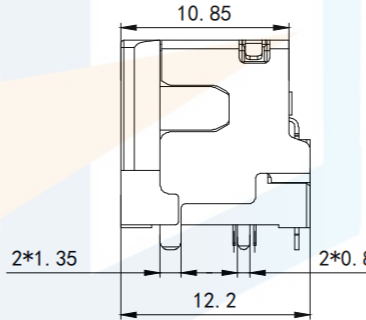
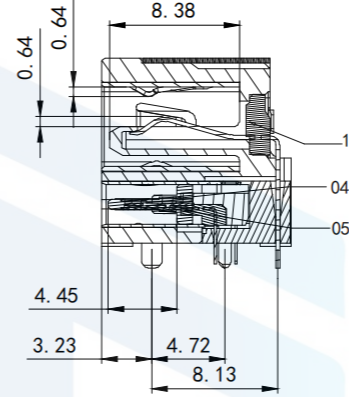
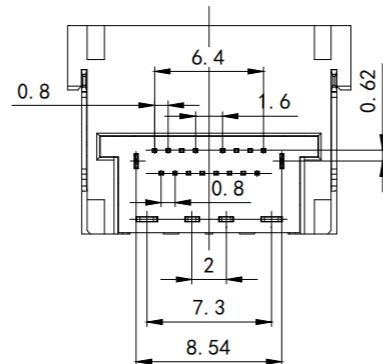
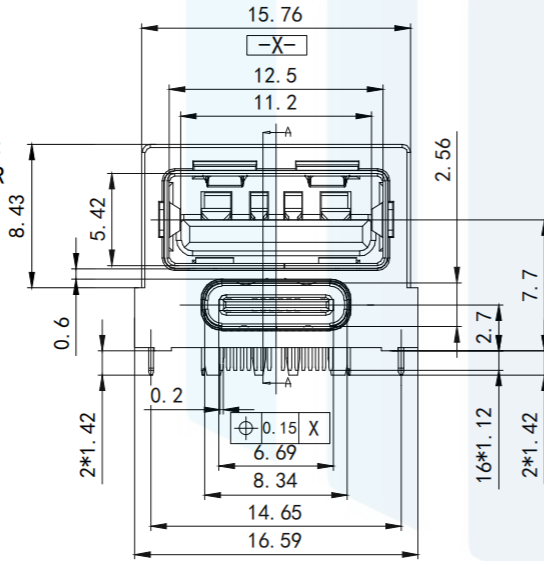
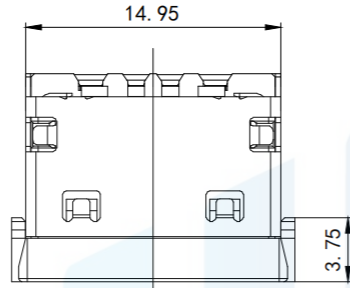


**RoHS2.0
Compliant**



- remark
- See 1 for material and electroplating
 - Electrical performance (A-side):
 - Contact positive: 30mΩ Max FOR INITIAL 40m2 MaX AFTER TEST.
 - Withstand 500V AC current less than 0.5mA
 - Insulation: 100MΩ Min 500V DC
 - Cut-off current: 7A
 - Overness: -40° C ~ 125°C,
 - Machine performance (A)
 - Pan into the force 6~25N.
 - Dial-out force: 10~25N at the beginning, 8~25N for 3000 times in the test hall
 - Lifespan: 300 CYCLES
 - The forward force of the terminal is 25g MIN
 - Electrical performance (C)
 - Contact Attachment: 30mΩ Max FOR INITIAL. 40m2 MaX AFTER TEST.
 - Withstand voltage: 500V AC
 - Insulation: 100MR Min
 - Rated current: COLLECTIVELY VBUS
 - PIN (A4, A9, B4, B9) TOTAL 7A4. 5 1WORKING TEMPERATURE -40C ~ 125'C5. MACHINE PERFORMANCE (C-END):
 - Pan into the force 5~20N.
 - Pull out for the initial value of 8~20N, 6~20N after the test
 - LIFESPAN: 10,000 CYCLES

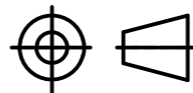


A1	GND	B12	GND
A4	VBUS	B9	VBUS
A5	CC1	B8	SBU2
A6	DP1	B7	DN2
A7	DN1	B6	DP2
A8	DN1	B5	CC2
A9	SBU1	B4	VBUS
A12	GND	B1	GND

TOLERANCE

X. XXX	±0.05
X. XX	±0.15
X. X	±0.20
X.	±0.30
ANGLE	±5.0°

PROTECTON



东莞市恒祺电子科技有限公司
Dongguan Hengqi Electronic Technology Co., Ltd

<https://www.hq-dz.com>

phone: 15812872448

TITLE:

USB TYPE C板上双层A+C90度插板

PART NO: TYPE-C+A-BS108

DRAWING NO: 14.95*12.2*16.59

DRAWN:

CHECKED:

APPROVED:

DATE:

DATE:

DATE:

18-10-08

18-10-08

18-10-08

UNIT:
mm

SCALE:
FULL

SIZE:
A4