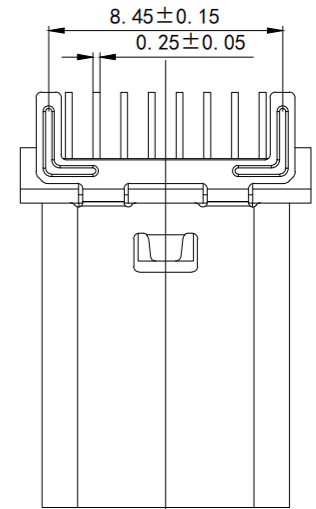
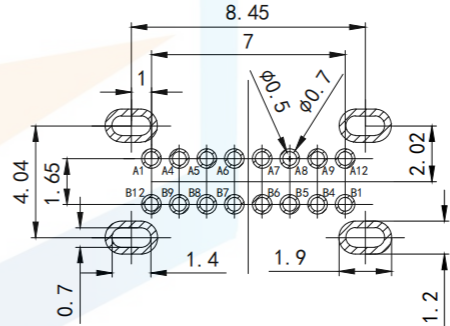
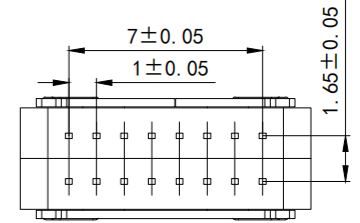
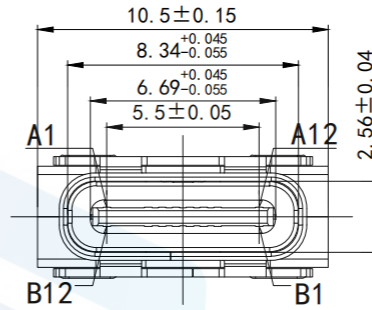
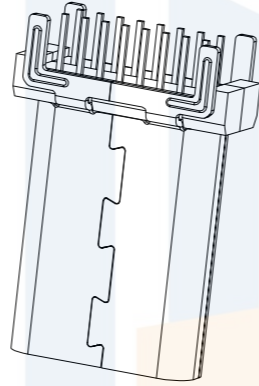
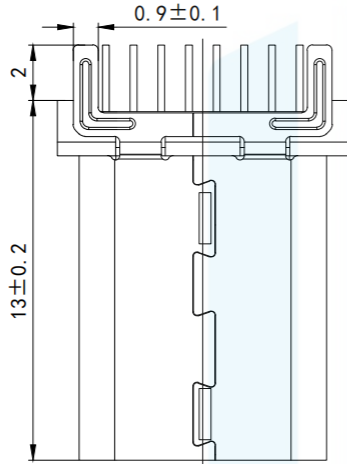
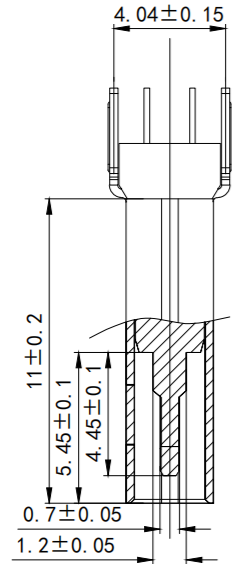


RoHS2.0
Compliant



RECOMMENDED P. C. B LAYOUT
TOLERANCE UNSPECIFIED ±0.05mm

Features:

- Electrical performance :EICTRICAL
 - Rated current :5.0A
 - Contact impedance :40 MILLIOHMS MAX
 - Withstand voltage :100V AC/1 mA MAX
 - Insulation impedance :150V DC/100 MEGA OHMS MIN
- Second, mechanical properties:
- Insertion force :5~20N
 - Output :8~20N
 - Service life :10000 times, pullout 5N MIN
- Third, MATERIAL :MATERIAL
- Electroplating :FINISH
 - Terminal: Contact point gold-plated 1U"MINPIN pin solder area tinned 80U"MIN
 - Shell: nickel-plated 80U"MIN(salt spray 48H)
 - 5, electroplating products need to do the tin sticking test: the tin sticking area is more than 95%.
- Six, SMT reflow welding (peak 260° C+5° C) can not foam, melt, discoloration (deformation within the tolerance range)
- Working temperature : -55° C~+85° C
 - salt spray test: through 48H in the concentration of 5+1% salt water salt spray test without rust phenomenon

TOLERANCE	X. XXX	±0.05		东莞市恒祺电子科技有限公司 Dongguan Hengqi Electronic Technology Co., Ltd		
	X. XX	±0.15		https://www.hq-dz.com phone:15812872448		
PROTECTON	X. X	±0.20		TITLE: TYPE C 16P立式插板 H=13/15/17.5/18.5MM		
	X.	±0.30		PART NO:TYPE-C16P-LC013 DRAWING NO:10.5*13*3.16		
	ANGLE	±5.0°		DRAWN:	DATE: 18-10-08	UNIT: mm
				CHECKED:	DATE: 18-10-08	SCALE: FULL
				APPROVED:	DATE: 18-10-08	SIZE: A4