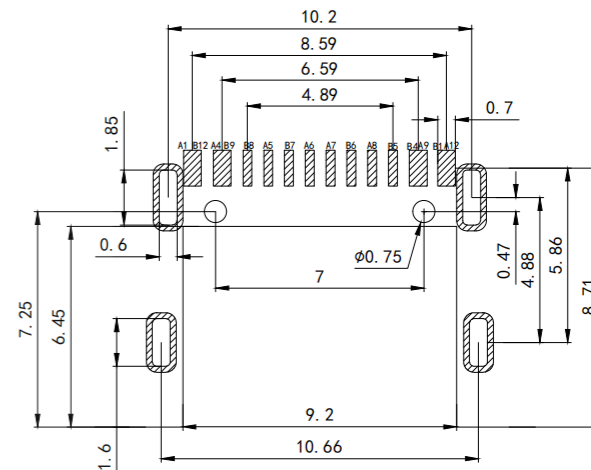
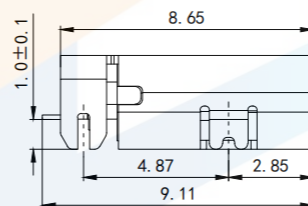
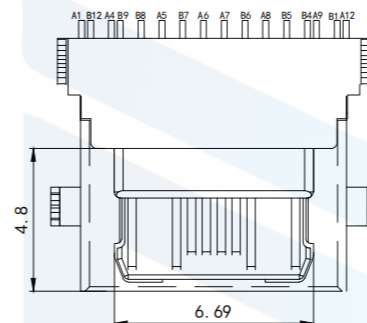
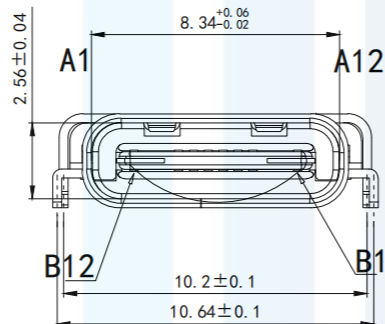
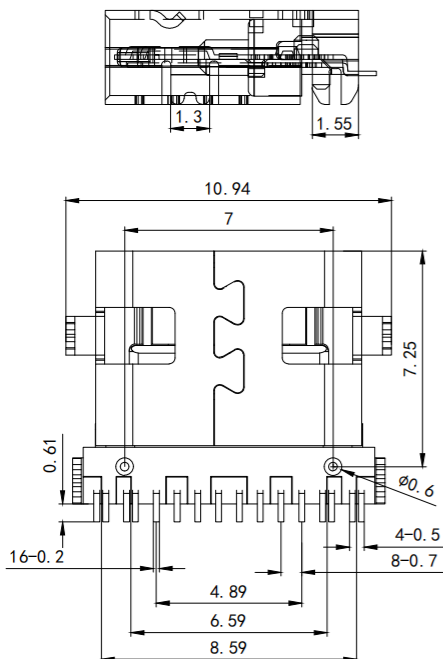
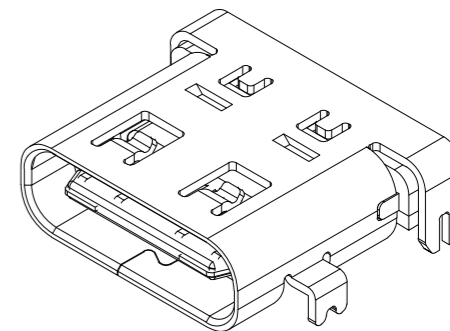


RoHS2.0  
Compliant



RECOMMENDED PCB LAYOUT  
TOLERANCE UNSPECIFIED ±0.05mm



remark

1. Rubber core :LCP+30% G.FUL94V-0
  - 2 terminal: phosphor copper, T=0.12mm; Nickel base, gold plated 1u
  - 3 Shell: stainless steel, T=0.30mm; Surface plated nickel 100u or bright tin 100u
- Main features:

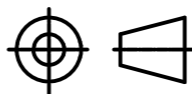
1. Rated current :0.5A
- 2 Contact impedance :30mΩMAX
- 3 Insulation impedance :100MΩMIN 250VDC
- 4 Withstand voltage test :250V AC
- 5 Tinness: temperature 250+5°C, time 5±0.5s
- 6 Overall insertion force :3.57kgf MAX  
Overall extraction force :1.02kgf MIN
- 7 Service life :10000 times
- 8 Operating temperature :-30°C~+80°C

A1	GND	B12	GND
A2		B11	
A3		B10	
A4	VBUS	B9	VBUS
A5	CC1	B8	SBU2
A6	D+	B7	D-
A7	D-	B6	D+
A8	SBU1	B5	CC2
A9	VBUS	B4	VBUS
A10		B3	
A11		B2	
A12	GND	B1	GND

TOLERANCE

X. XXX	±0.05
X. XX	±0.15
X. X	±0.20
X.	±0.30
ANGLE	±5.0°

PROTECTON



东莞市恒祺电子科技有限公司  
Dongguan Hengqi Electronic Technology Co., Ltd

<https://www.hq-dz.com>

phone:15812872448

TITLE:

TYPE C 16P沉板1.0MM  
4定位脚外移插板

PART NO:TYPE-C16P-CB010

DRAWING NO:10.94\*8.65\*3.16

DRAWN:

CHECKED:

APPROVED:

DATE: 18-10-08

DATE: 18-10-08

DATE: 18-10-08

UNIT: mm

SCALE: FULL

SIZE: A4