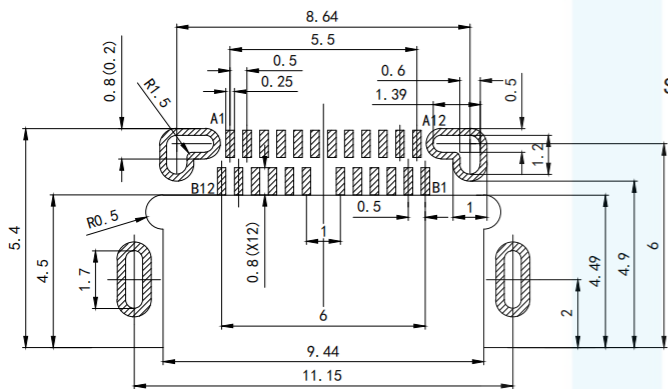
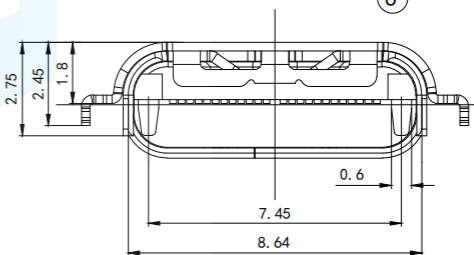
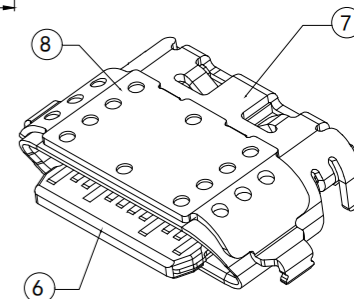
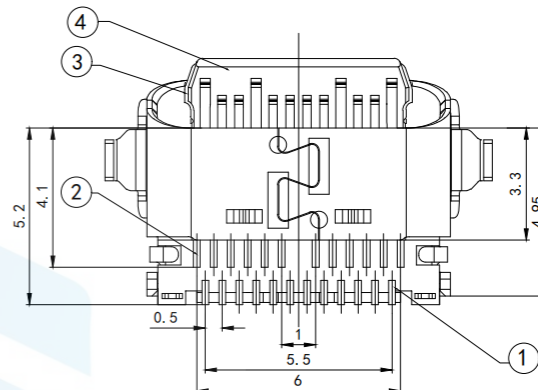
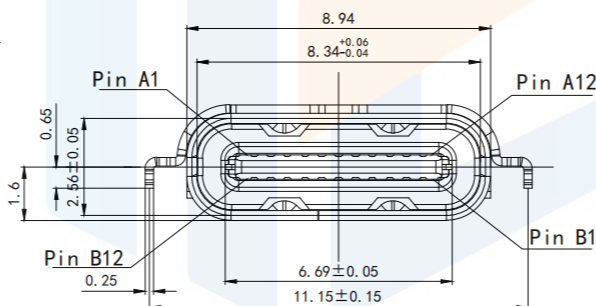
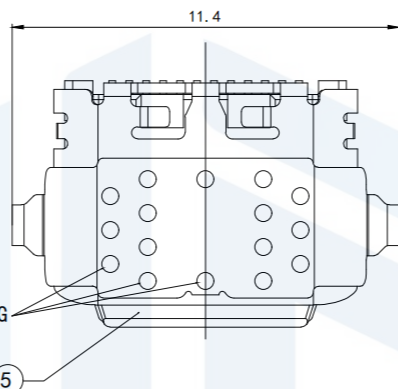
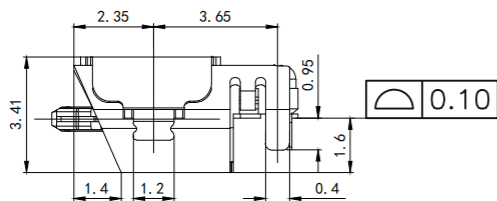


RoHS2.0
Compliant



RECOMMEND P. C. B LAYOUT T=0.8mm
TOLERANCE UNSPECIFIED ± 0.05

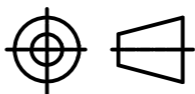


- NOTES
- SPECIFICATION
- CURRENT RATING: 5.0A MAX
 - VOLTAGE: 100VAC
 - TEMPERATURE RANGE: $-30^{\circ}\text{C} \sim 85^{\circ}\text{C}$
 - CONTACT RESISTANCE: 40 MILLIONHM MAX
 - INSULATION RESISTANCE: 100MEGOHMS MIN
 - INSERTION FORCE: 8N~20N
 - UNMATING FORCE: 8N~20N
 - DURABILITY: 10000 CYCLES

TOLERANCE

X. XXX	± 0.05
X. XX	± 0.15
X. X	± 0.20
X.	± 0.30
ANGLE	$\pm 5.0^{\circ}$

PROTECTON



东莞市恒祺电子科技有限公司
Dongguan Hengqi Electronic Technology Co., Ltd

<https://www.hq-dz.com>

phone: 15812872448

TITLE:

TYPE C 24PIN 沉板1.6舌头外露斜口
双排全贴P30

PART NO: TYPE-C24P-CBP30

DRAWING NO: 11.4*5.4*3.41

DRAWN:

CHECKED:

APPROVED:

DATE:

DATE:

DATE:

18-10-08

18-10-08

18-10-08

UNIT:
mm
SCALE:
FULL
SIZE:
A4