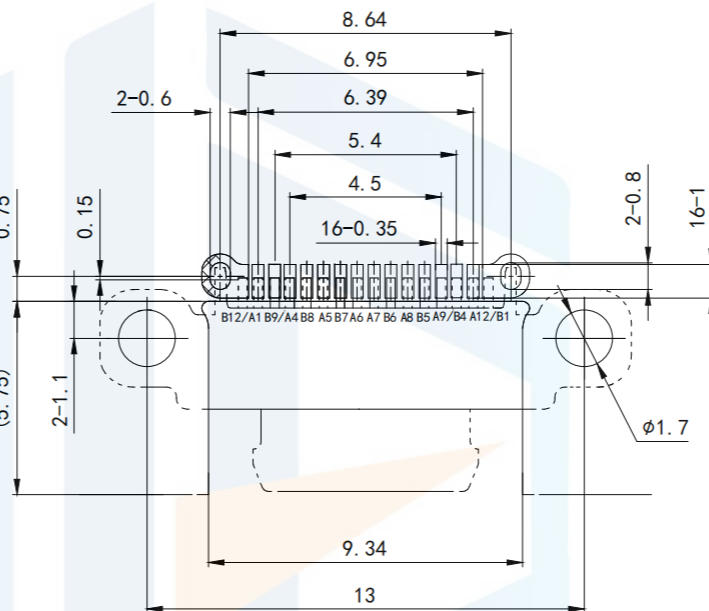
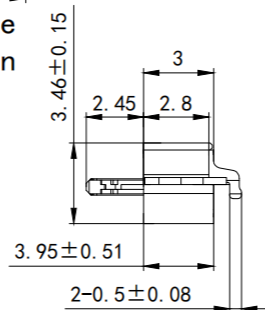
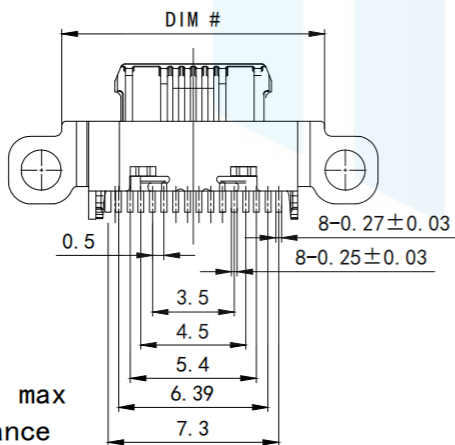
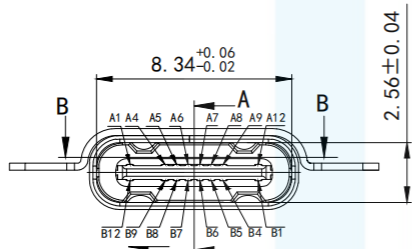
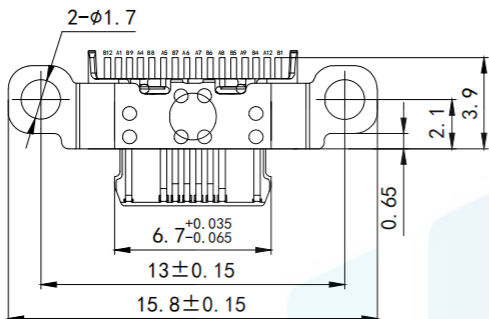
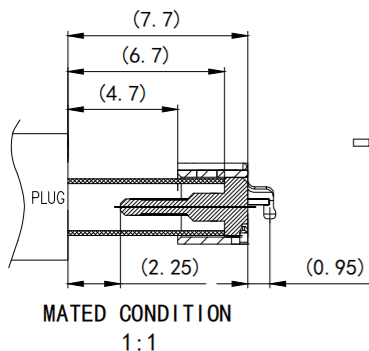
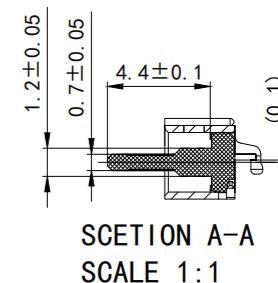
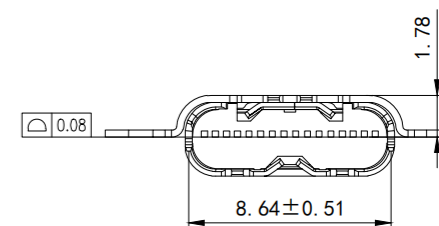
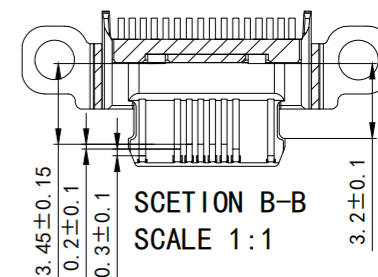


RoHS2.0
Compliant


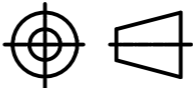
NO	DIM
A	11.24
B	10.84



RECOMMENDED P. C. B. LAYOUT
General Tolerance ±0.05mm



- Specifications
 - Rated current:
 - Pin A1A12 and B1 B12 8A
 - Pin A4 A9 and B4 B9 8A
 - Other Pin 0.25A max
 - Rated voltage: 30V AC
 - Contact Resistance:
 - The initial value is 40mΩ max
 - 50mΩ maximum after endurance
 - Withstand voltage: 100V AC for 1 minute
 - Insulation resistance: 100MΩ min.1 min
 - Mechanical Properties
 - Pull-out force >=8N (1000 cycles)
 - 6N (10,000 times) <= 20N
 - Durability: 10,000 times
 - Operating Temperature:
 - 40° C~85° C
 - Salt spray: 48H

TOLERANCE		 东莞市恒祺电子科技有限公司 Dongguan Hengqi Electronic Technology Co., Ltd	https://www.hq-dz.com phone:15812872448			
X. XXX	±0.05		TITLE: TYPE C 16PIN 沉板 CH=0.10mm 带锁孔舌头外露2.45	PART NO:TYPE-C16P-CBR10		
X. XX	±0.15	DRAWING NO:15.8*3.9*3.46				
X. X	±0.20	PROTECTON 	DRAWN:		DATE: 18-10-08	UNIT: mm
X.	±0.30		CHECKED:		DATE: 18-10-08	SCALE: FULL
ANGLE	±5.0°		APPROVED:		DATE: 18-10-08	SIZE: A4