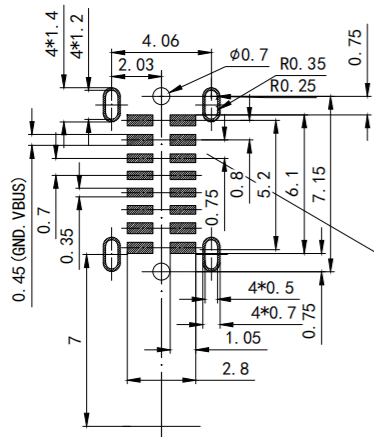
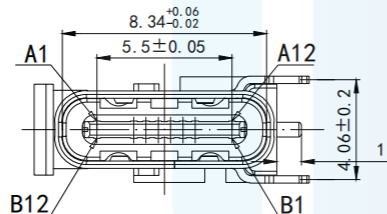


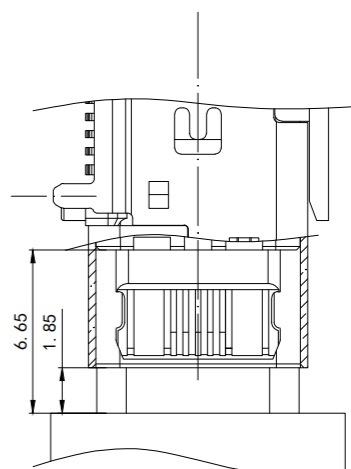
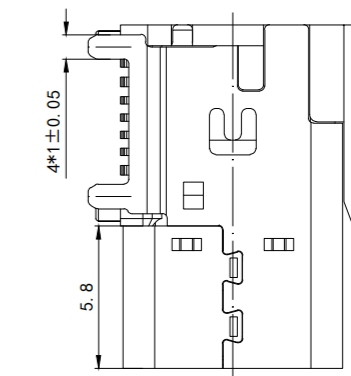
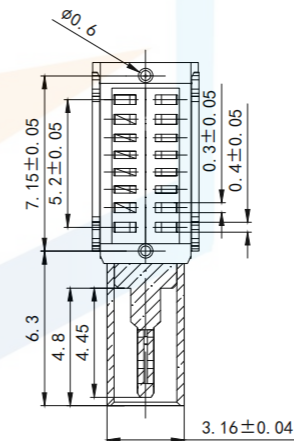
RoHS2.0  
Compliant



B12	A1
B9	A4
B8	A5
B7	A6
B6	A7
B5	A8
B4	A9
B1	A12



A1	GND	B12	GND
A2		B11	
A3		B10	
A4	VBUS	B9	VBUS
A5	CC1	B8	SBU2
A6	D+	B7	D-
A7	D-	B6	D+
A8	SBU1	B5	CC2
A9	VBUS	B4	VBUS
A10		B3	
A11		B2	
A12	GND	B1	GND



Features:

First, electrical performance :EICTRICAL

1. Rated current :5.0A
2. Contact impedance :40 MILLIOHMS MAX
3. Withstand voltage :100V AC/1 mA MAX
4. Insulation impedance :150V DC/100 MEGA OHMS MIN

Second, mechanical properties:

1. Insertion force :5~20N; Output :8 to 20N
2. Service life :10000 times

Third, MATERIAL :MATERIAL

4. Electroplating :FINISH
1. Terminal: Contact point gold-plated 1 U "MIN
- PIN pin welding area gold-plated G/F

2. Shell: nickel-plated 80u"MIN
- 5, electroplating products need to do the tin sticking test: the tin sticking area is more than 95%.

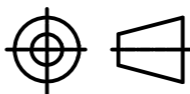
Six, SMT reflow welding (peak 260° C+5° C) can not foam, melt, discoloration (deformation within the tolerance range)

7. Working temperature :-55° C~+85° C
8. Salt spray test: Through 48H salt spray test with a concentration of 5% salt water, there is no rust phenomenon

TOLERANCE

X. XXX	±0.05
X. XX	±0.15
X. X	±0.20
X.	±0.30
ANGLE	±5.0°

PROTECTON



东莞市恒祺电子科技有限公司

Dongguan Hengqi Electronic Technology Co., Ltd

<https://www.hq-dz.com>

phone:15812872448

TITLE:

TYPE C 16P侧贴CH=4.58  
4脚定位插板

PART NO:TYPE-C16P-CT014

DRAWING NO:14\*11.21\*3.7

DRAWN:

CHECKED:

APPROVED:

DATE: 18-10-08

DATE: 18-10-08

DATE: 18-10-08

UNIT:  
mm

SCALE:  
FULL

SIZE:  
A4