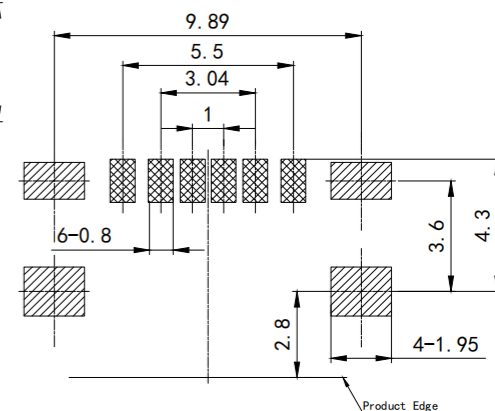
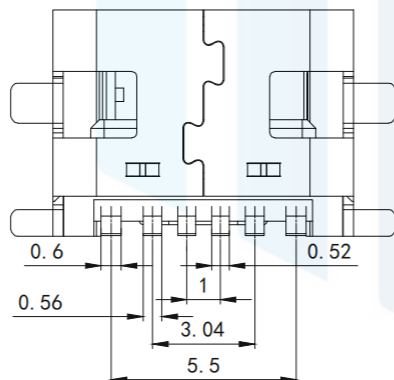
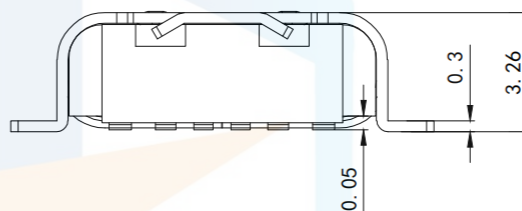
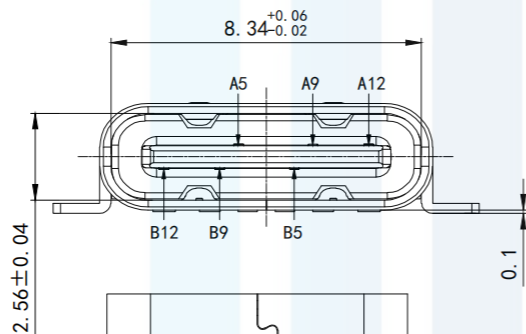
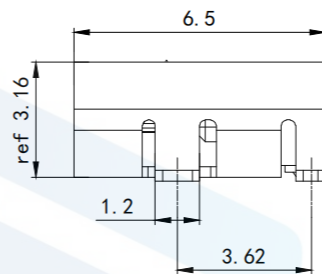
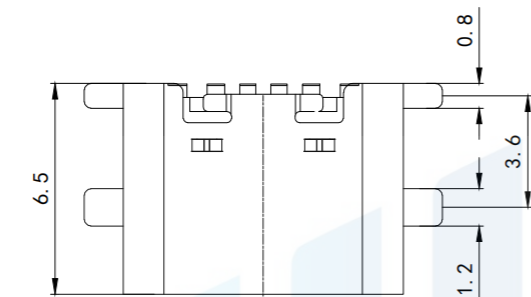


RoHS2.0
Compliant



RECOMMENDED P. C. B. LAYOUT
TOLERANCE UNSPECIFIED +0.05mm

B12	GND
B9	VBus
B5	CC2
A5	CC1
A9	VBus
A12	GND
PIN	SIGNAL NAME

Material Specifications:

1. Plastic: LCP vinyl
2. Terminal: special brass C2680-H
3. TYPE. C case: SUS201/SUS304
4. Hook: SUS201/SUS304

Electrical features:

1. Contact impedance: 30 mOhm max
2. Withstand voltage: 500 volts AC
3. Insulation resistance: minimum 000 trillion ohms
4. Current 3A

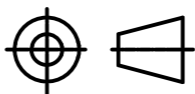
Mechanical Properties:

1. The maximum insertion force is 20N
2. Pull-out force: 5N-20N, 6-20N after 5000 times
3. Plugging and unplugging life: 10000 times

TOLERANCE

X. XXX	±0.05
X. XX	±0.15
X. X	±0.20
X.	±0.30
ANGLE	±5.0°

PROTECTON



东莞市恒祺电子科技有限公司

Dongguan Hengqi Electronic Technology Co., Ltd

<https://www.hq-dz.com>

phone:15812872448

TITLE:

TYPE C 6P板上全贴

PART NO:TYPE-C6P-BS1065

DRAWING NO:8.34*3.16*H

DRAWN:

DATE:

18-10-08

UNIT:
mm

CHECKED:

DATE:

18-10-08

SCALE:
FULL

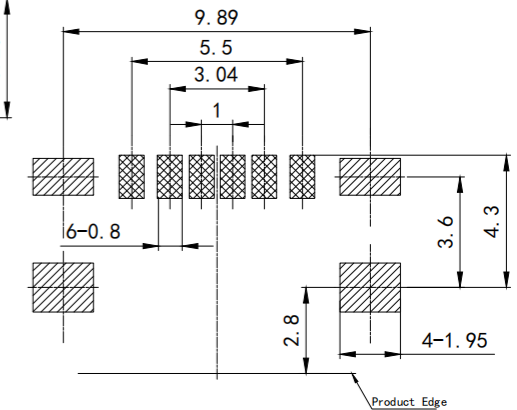
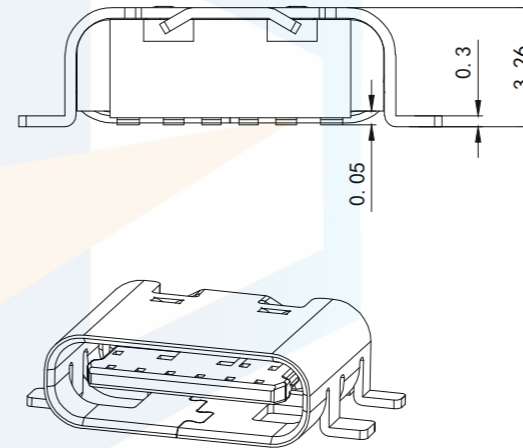
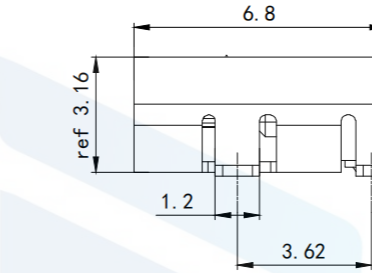
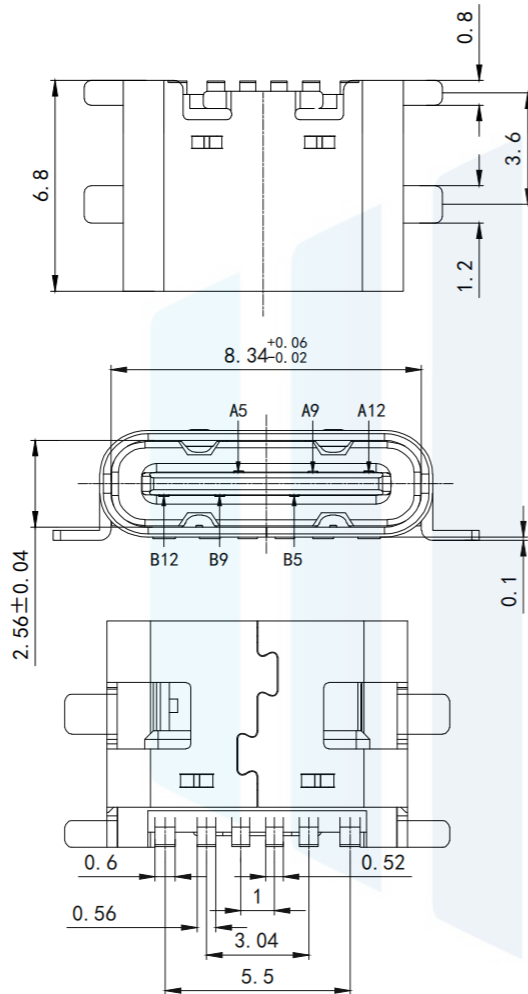
APPROVED:

DATE:

18-10-08

SIZE:
A4

RoHS2.0
Compliant



RECOMMENDED P. C. B. LAYOUT
TOLERANCE UNSPECIFIED +0.05mm

B12	GND
B9	VBUS
B5	CC2
A5	CC1
A9	VBUS
A12	GND
PIN	SIGNAL NAME

Material Specifications:

1. Plastic: LCP vinyl
2. Terminal: special brass C2680-H
3. TYPE. C case: SUS201/SUS304
4. Hook: SUS201/SUS304

Electrical features:

1. Contact impedance: 30 mOhm max
2. Withstand voltage: 500 volts AC
3. Insulation resistance: minimum 000 trillion ohms
4. Current 3A

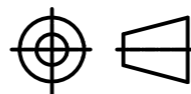
Mechanical Properties:

1. The maximum insertion force is 20N
2. Pull-out force: 5N-20N, 6-20N after 5000 times
3. Plugging and unplugging life: 10000 times

TOLERANCE

X. XXX	±0.05
X. XX	±0.15
X. X	±0.20
X.	±0.30
ANGLE	±5.0°

PROTECTON



东莞市恒祺电子科技有限公司
Dongguan Hengqi Electronic Technology Co., Ltd

<https://www.hq-dz.com>

phone:15812872448

TITLE:
TYPE C 6P板上全贴

PART NO:TYPE-C6P-BS1068

DRAWING NO:8.34*3.16*H

DRAWN:

DATE: 18-10-08

UNIT:
mm

CHECKED:

DATE: 18-10-08

SCALE:
FULL

APPROVED:

DATE: 18-10-08

SIZE:
A4