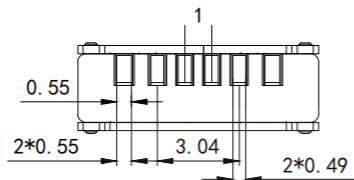
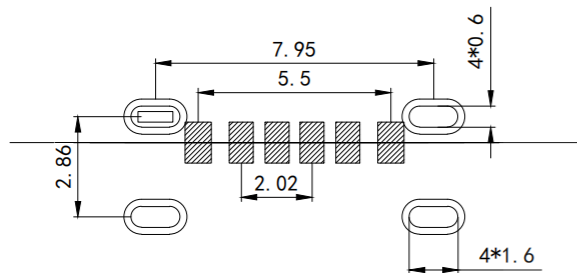
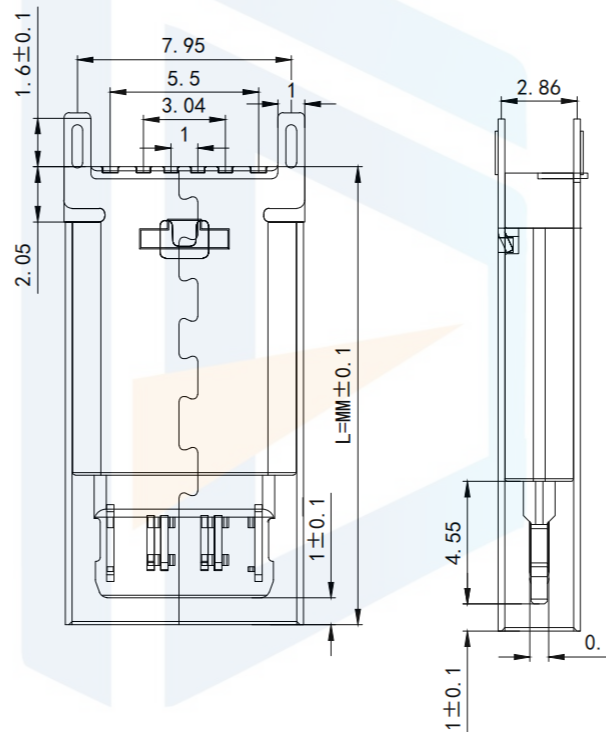
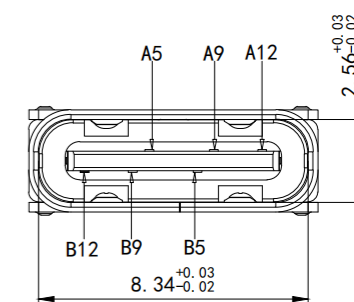


RoHS2.0
Compliant



L=MM

A	B	C	D	E	F	G	H	L
13	13.7	15	17.5					



B12	GND
B9	VBUS
B5	CC2
A5	CC1
A9	VBUS
A12	GND
PIN	SIGNAL NAME

NOTE:

1 Material:

- 1.1 Rubber core :LCP UL94 V-0
- 1.2 Terminal :C2680, T=0.2mm; Nickel base, gold plated
- 1.3 Housing :SUS20/1304 surface nickel-plated

2. Electrical characteristics:

- 2.1. Contact area: contact resistance 40m Ω Max, allowing 10m Ω
Test conditions :20mv, 100mA measurement:
- 2.2. Contact current :3A VBUS pin; 1.25A for GND
Pin; The other pins are 0.25A.
- 2.3. Rated voltage :5V.
- 2.4. Withstand voltage :100VAC.
- 2.5. Insulation resistance :3 at least 100 megohm

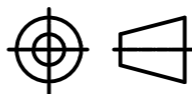
3. Mechanical properties:

- 3.1. Insertion force :0.5-2.0Kg
- 3.2. Pullout force :0.6-2.04Kg
- 3.3. Insertion and removal times :10000 times.
- 4. Working environment :-20°C to +85°C
- 5. Resistance to welding heat: the terminal is immersed in a tin tank at 250 °C; Through the
When 3-5S is 0.5Sec, the tin-stained area is more than 95%
- 6. Appearance: The parts can withstand the following welding conditions:
temperature
250°C, time 8-10 seconds, appearance no damage deformation

TOLERANCE

X. XXX	±0.05
X. XX	±0.15
X. X	±0.20
X.	±0.30
ANGLE	±5.0°

PROTECTON



东莞市恒祺电子科技有限公司

Dongguan Hengqi Electronic Technology Co., Ltd

<https://www.hq-dz.com>

phone:15812872448

TITLE:

TYPE C 6P立式贴片加长款
4脚定位插板

PART NO:TYPE-C6P-LT1014

DRAWING NO:8.34*3.16*L

DRAWN:

CHECKED:

APPROVED:

DATE:

DATE:

DATE:

18-10-08

18-10-08

18-10-08

UNIT:
mm

SCALE:
FULL

SIZE:
A4