

RoHS2.0
Compliant

NOTE:

1 Material:

- 1.1 Adhesive core: LCP UL94 V-0
- 1.2 terminal: C2680, T 0.2mm; Bottom, gold plated
- 1.3 shell: SUS201/304 Nickel plated surface

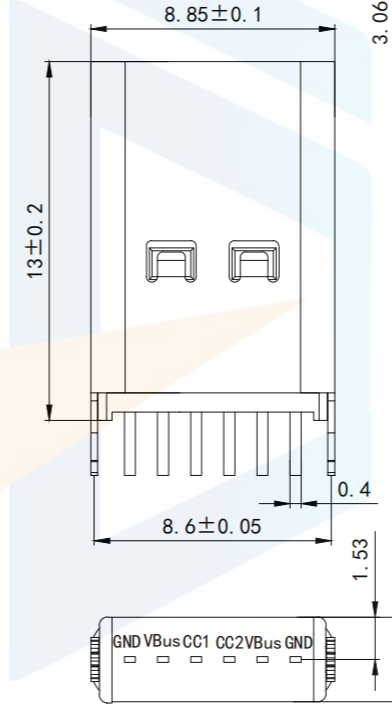
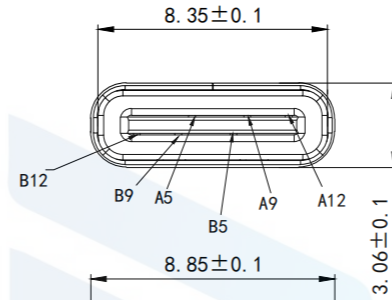
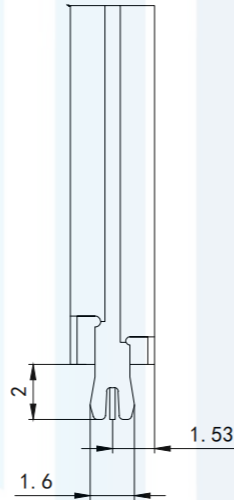
2. Electrical characteristics:

- 2.1. Contact area: contact resistance 40mΩ Max, 10 mΩ variation allowed. Test conditions: 20 mV, 100 mA measurement
- 2.2. Contact current: 3A VBUS pin; 1.25AHTCND pin: 0.25A for other pins
- 2.3. Rated electricity: 5V
- 2.4. Electrically resistant to electricity: 100VAC
- 2.5. Insulation resistance: 100 megaohms less

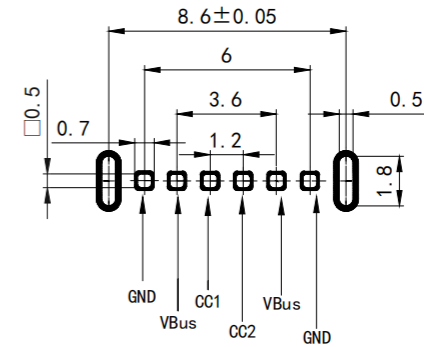
3. Mechanical properties:

- 3.1. Insertion force: 0.5-2.0Kg
- 3.2. Pull-out force: 0.6-2.0Kg
- 3.3. Number of plugging and unplugging: 10000 times.
- 4. Working environment: -20° C to +85° C
- 5. Soldering heat resistance: the terminal is immersed in a tin bath at 250+5° C;

It lasts 3-5S+0.5Scc, and the tin-staining area is more than 95%.
6. Appearance: The parts can withstand the following welding conditions: temperature 250° C, time 8-10 seconds, no damage and deformation in appearance



B12	GND
B9	VBus
B5	CC2
A5	CC1
A9	VBus
A12	GND
PIN	SIGNAL NAME



RECOMMENDED P. C. B. LAYOUT
TOLERANCE UNSPECIFIED +0.05mm

TOLERANCE	X. XXX	±0.05		东莞市恒祺电子科技有限公司 Dongguan Hengqi Electronic Technology Co., Ltd	
	X. XX	±0.15		https://www.hq-dz.com phone:15812872448	
PROTECTON	X. X	±0.20		TITLE: TYPE C 6P立式直插 2定位鱼叉脚	
	X.	±0.30		PART NO:TYPE-C6P-LC1013	
	ANGLE	±5.0°		DRAWING NO:13*8.6*3.06	
			DRAWN:	DATE:	18-10-08
			CHECKED:	DATE:	18-10-08
			APPROVED:	DATE:	18-10-08
				UNIT:	mm
				SCALE:	FULL
				SIZE:	A4