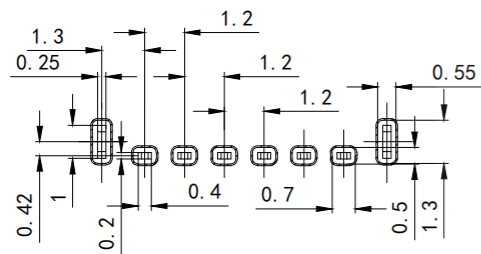
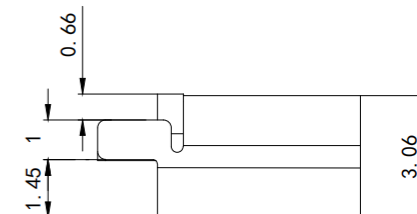
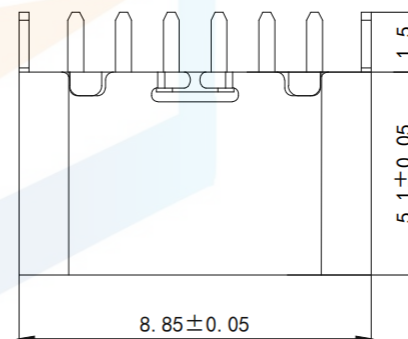
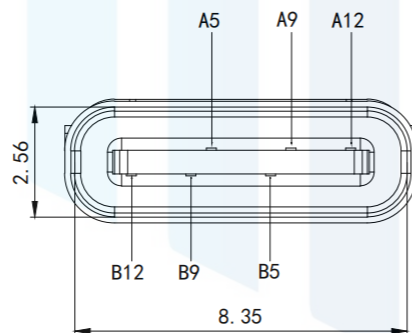
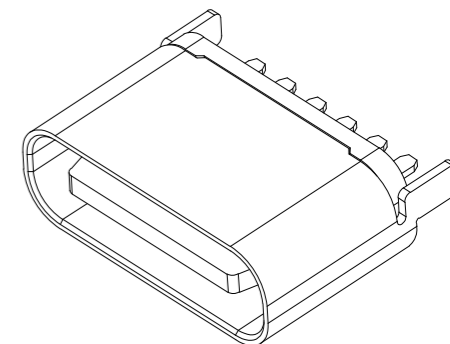
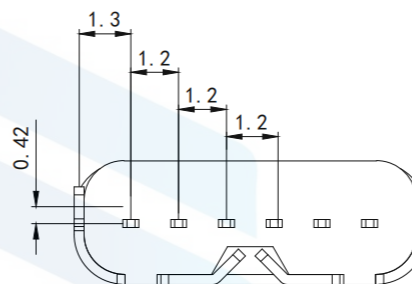
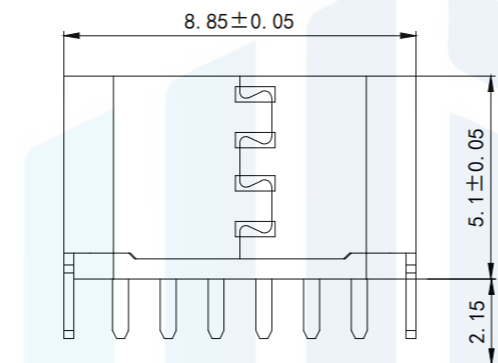


RoHS2.0
Compliant


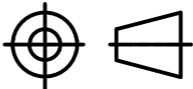


RECOMMENDED P.C.B LAYOUT (COMPONENT SIDE)
TOLERANCE UNSPECIFIED $\pm 0.05\text{mm}$



NOTE:

- 1 Material:
 - 1.1 Rubber core: LCP UL94 V-0
 - 1.2 Terminal: C2680, T=0.2mm; Nickel base, gold plated
 - 1.3 Housing: stainless steel 201-H surface nickel-plated
2. Electrical characteristics:
 - 2.1. Contact area: contact resistance 40m Ω Max, allowing 10m Ω variation
Test conditions :20mv, 100mA measurement.
 - 2.2. Contact current: 3A VBUS pin; 1.25A for GND Pin; The other pins are 0.25A.
 - 2.3. Rated voltage: 5V.
 - 2.4. Withstand voltage: 100VAC.
 - 2.5. Insulation resistance: at least 100 megohm.
3. Mechanical properties:
 - 3.1. Insertion force: 0.5-2.0Kg
 - 3.2. Pullout force: 0.6-2.04Kg
 - 3.3. Insertion and removal times: 5000 times.
4. Working environment: -20°C to +85°C.
5. Resistance to welding heat: the terminal is immersed in the tin tank at 250 \pm 5°C; The duration is 3-5S \pm 0.5Sec, and the tin-stained area is above 95%
6. Appearance: The parts can withstand the following welding conditions: Temperature 250°C, time 8-10 seconds, appearance without damage deformation
7. Packing: boxed, 1000pcs per box braid, 1000pcs per disc

TOLERANCE	X. XXX	± 0.05		东莞市恒祺电子科技有限公司 Dongguan Hengqi Electronic Technology Co., Ltd		
	X. XX	± 0.15		https://www.hq-dz.com phone:15812872448		
PROTECTON 	X. X	± 0.20	TITLE:		PART NO:TYPE-C6P-LC1051	
	X.	± 0.30	TYPE C 6P立式直插L=5.1 脚1.5针0.4		DRAWING NO:8.85*5.1*3.06	
	ANGLE	$\pm 5.0^\circ$	DRAWN:	DATE:	18-10-08	UNIT: mm
			CHECKED:	DATE:	18-10-08	SCALE: FULL
			APPROVED:	DATE:	18-10-08	SIZE: A4