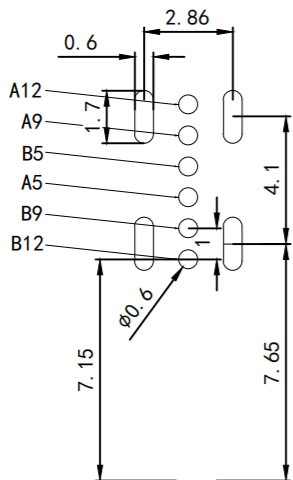
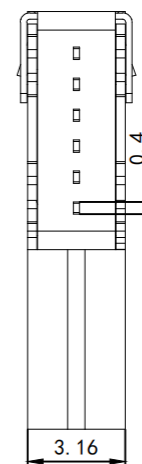
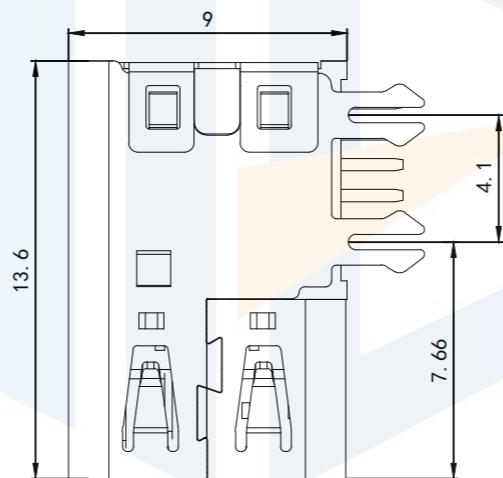
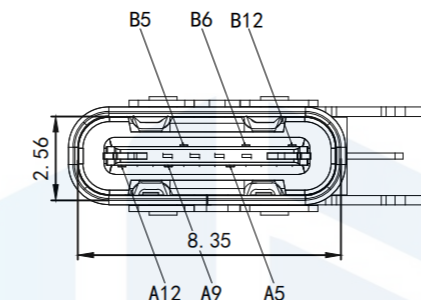


RoHS2.0
Compliant



RECOMMENDED P. C. B. LAYOUT
TOLERANCE UNSPECIFIED $\pm 0.05\text{mm}$


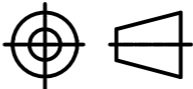


A1	GND	B12	GND
A4	VBUS	B9	VBUS
A5	CC1	B7	DN2
A6	DP1	B6	DP2
A7	DN1	B5	CC2
A9	VBUS	B4	VBUS
A12	GED	B1	GND
PIN	SIGNAL NAME	PIN	SIGNAL NAME

NOTES:

SPECIFICATION

- CURRENT RATING: 3A MAX
- VOLTAGE: 100 VAC
- TEMPERATURE RANGE: $-30^{\circ}\text{C} \sim 85^{\circ}\text{C}$
- CONTACT RESISTANCE: 100 MEGOHMS
- INSERTION FORCE: 8N~20N
- INSERTION FORCE: 5N~20N
- UNMATING FORCE: 8N~20N
- DURABILITY: 1000 CYCLES

TOLERANCE	X. XXX	± 0.05		东莞市恒祺电子科技有限公司 Dongguan Hengqi Electronic Technology Co., Ltd		
	X. XX	± 0.15		https://www.hq-dz.com phone: 15812872448		
X. X	± 0.20		TITLE: TYPE C 6P侧插		PART NO: TYPE-C6P-CC1135	
X.	± 0.30				DRAWING NO: 13.6*9*3.16	
ANGLE	$\pm 5.0^{\circ}$					
PROTECTON 	DRAWN:		DATE:	18-10-08	UNIT: mm	
	CHECKED:		DATE:	18-10-08	SCALE: FULL	
	APPROVED:		DATE:	18-10-08	SIZE: A4	