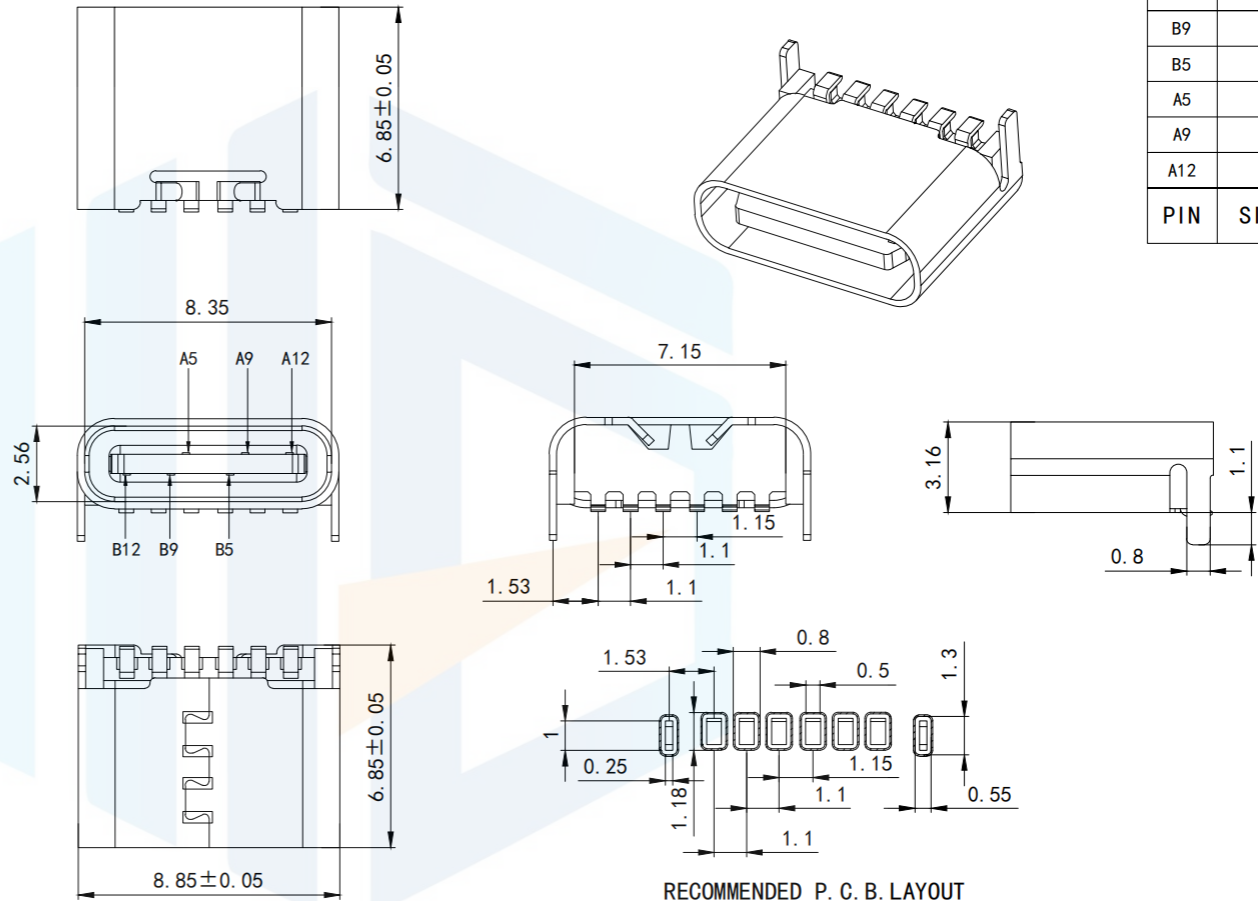


RoHS2.0  
Compliant

USB TYPE C PIN ASSIGNMENTS

PIN	SIGNAL NAME
B12	GND
B9	VBus
B5	CC2
A5	CC1
A9	VBus
A12	GND



NOTE1 MATERIAL:

- 1.1 Adhesive core: LCP UL94 V-0
- 1.2 terminal: C2680, T-0.2mm;
- 1.3 shell: stainless steel 201-H with nickel plated finish
2. Electrical characteristics:
  - 2.1. Contact area: contact resistance 40mΩ Mag, allowable 10mΩ variation, test conditions: 20mV, 100mA measurement.
  - 2.2. Contact current: 3A VBUS pin: 1.25A for GND pin; The other pins are 0.25A.
  - 2.3. Rated voltage: 5V
  - 2.4. Withstand voltage: 100VAC
  - 2.5. Insulation resistance: at least 100 megaohms
3. Mechanical properties:
  - 3.1. Insertion force: 0.52.0Kg
  - 3.2. Pull-out force: 0.6-2.04Kg
  - 3.3. Plugging and unplugging times: 5000 times,
4. Working environment: -20° C to +85° C

RECOMMENDED P. C. B. LAYOUT  
TOLERANCE UNSPECIFIED +0.05mm

<p><b>TOLERANCE</b></p> <p>X. XXX ±0.05</p> <p>X. XX ±0.15</p> <p>X. X ±0.20</p> <p>X. ±0.30</p> <p>ANGLE ±5.0°</p>		<p>东莞市恒祺电子科技有限公司</p> <p>Dongguan Hengqi Electronic Technology Co., Ltd</p>	
		<p>https://www.hq-dz.com phone:15812872448</p>	
<p><b>PROTECTON</b></p>	<p><b>DRAWN:</b></p>	<p><b>DATE:</b> 18-10-08</p>	<p><b>UNIT:</b> mm</p>
	<p><b>CHECKED:</b></p>	<p><b>DATE:</b> 18-10-08</p>	<p><b>SCALE:</b> FULL</p>
	<p><b>APPROVED:</b></p>	<p><b>DATE:</b> 18-10-08</p>	<p><b>SIZE:</b> A4</p>

TITLE: TYPE C 6P板上贴片 后2脚定位插板

PART NO: TYPE-C6P-BS1168

DRAWING NO: 8.85\*6.85\*3.16