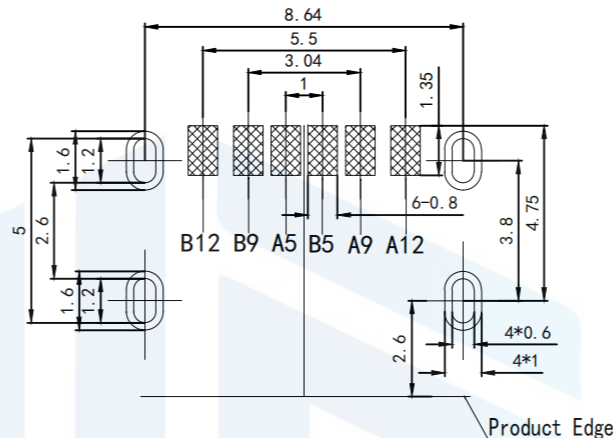
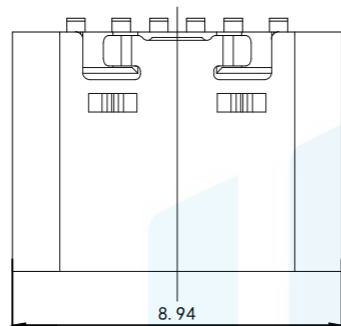
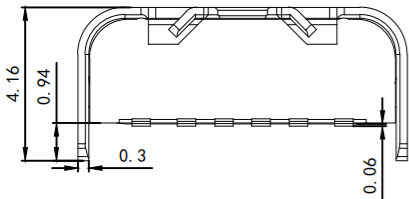
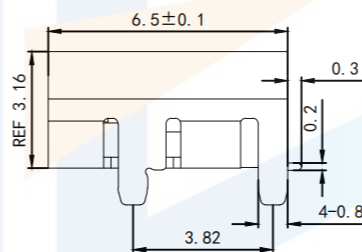
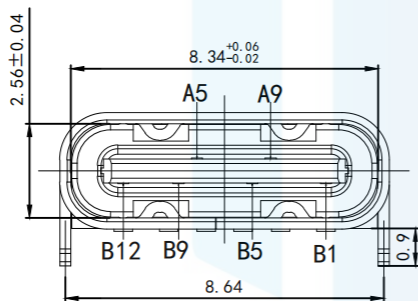


RoHS2.0
Compliant

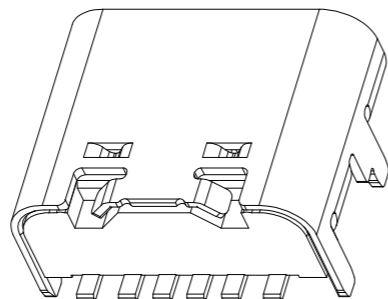
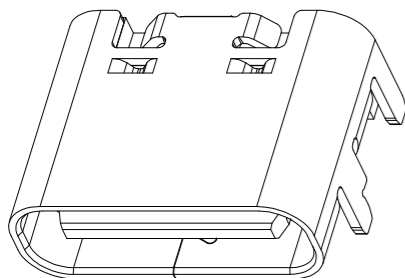
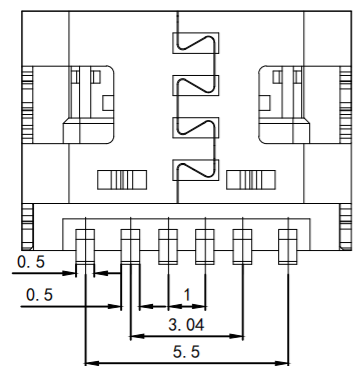


RECOMMENDED PCB LAYOUT
TOLERANCE UNSPECIFIED ±0.05mm



NOTE:

- MATERIAL SPECIFICATION:
 - HOUSING: HIGH TEMPERATURE RESISTANT PLASTIC, UL94 V-0.
 - CONTACTS: COPPER ALLOY
 - MID PLATE: STAINLESS STEEL
- PLATING SPECIFICATION:
 - CONTACTS:
 - Ni 50U" MIN. UNDER PLATED OVER ALL. AU PLATED ON THE FUNCTIONAL AREA OF CONTACT (GOLD PLATING THICKNESS FOLLOW THE P/N)
 - GOLD FLASH PLATING ON SOLDER AREA
 - FRONT SHELL:
 - Ni 30U" MIN. UNDER PLATED OVER ALL
- MECHANICAL PERFORMANCE,
 - INSERTION FORCE: 0.5~2.0kgf.
 - REMOVAL FORCE: 0.8kgf~2.0kgf.
 - DURABILITY: 10000 CYCLES.
- ELECTRICAL PERFORMANCE,
 - CURRENT RATING: 5A
VOLTAGE RATING: 20V
 - INSULATION RESISTANCE: 100MΩ MIN
 - DIELECTRIC WITHSTAND VOLTAGE, AC 100V FOR 1 MINUTE
 - LOW CONTACT RESISTANCE: INITIAL 40M2AFTER 50M2
- ENVIRONMENTAL PERFORMANCE: OPERATING TEMPERATURE: -30°C~+80°C
- IR REFLOW: THE PEAK TEMPERATURE ON THE BOARD SHALL BE MAINTAINED FOR 10 SECONDS AT 260C



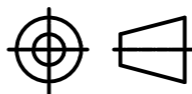
PIN ASSIGNMENTS

A5	CC1	B12	GND
A9	VBUS	B9	VBUS
		B5	CC2
		B1	GND
PIN	SIGNAL NAME	PIN	SIGNAL NAME

TOLERANCE

X. XXX	±0.05
X. XX	±0.15
X. X	±0.20
X.	±0.30
ANGLE	±5.0°

PROTECTON



东莞市恒祺电子科技有限公司
Dongguan Hengqi Electronic Technology Co., Ltd

<https://www.hq-dz.com>

phone: 15812872448

TITLE:

TYPE C 6P板上端子SMT
4定位脚插板L=6.5

PART NO: TYPE-C6P-BS1033

DRAWING NO: 8.94*6.5*3.16

DRAWN:

CHECKED:

APPROVED:

DATE:

DATE:

DATE:

18-10-08

18-10-08

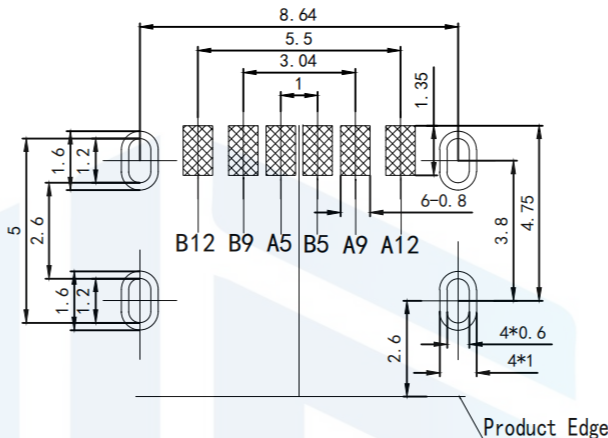
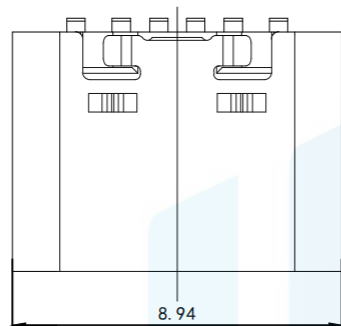
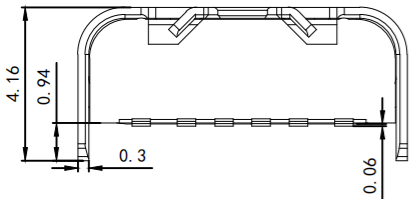
18-10-08

UNIT:
mm

SCALE:
FULL

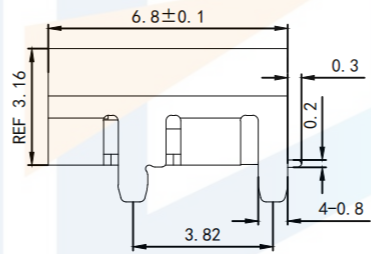
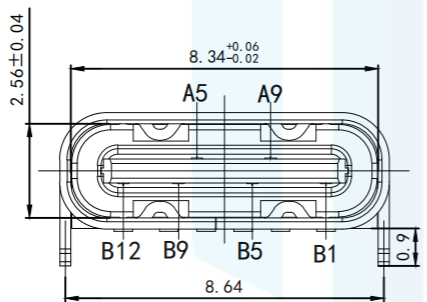
SIZE:
A4

RoHS2.0
Compliant



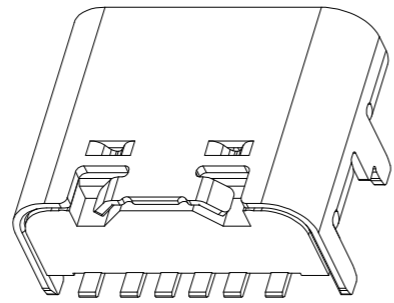
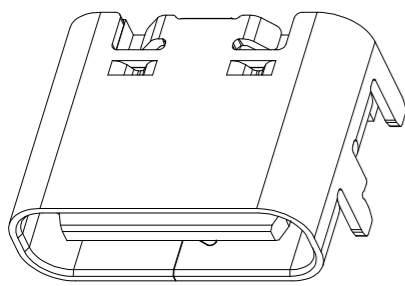
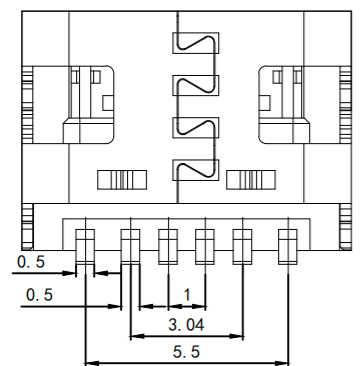
RECOMMENDED PCB LAYOUT

TOLERANCE UNSPECIFIED ±0.05mm



NOTE:

- MATERIAL SPECIFICATION:
 - HOUSING: HIGH TEMPERATURE RESISTANT PLASTIC, UL94 V-0.
 - CONTACTS: COPPER ALLOY
 - MID PLATE: STAINLESS STEEL
- PLATING SPECIFICATION:
 - CONTACTS:
 - Ni 50U" MIN. UNDER PLATED OVER ALL. AU PLATED ON THE FUNCTIONAL AREA OF CONTACT (GOLD PLATING THICKNESS FOLLOW THE P/N)
 - GOLD FLASH PLATING ON SOLDER AREA
 - FRONT SHELL:
 - Ni 30U" MIN. UNDER PLATED OVER ALL
- MECHANICAL PERFORMANCE,
 - INSERTION FORCE: 0.5~2.0kgf.
 - REMOVAL FORCE: 0.8kgf~2.0kgf.
 - DURABILITY: 10000 CYCLES.
- ELECTRICAL PERFORMANCE,
 - CURRENT RATING: 5A
VOLTAGE RATING: 20V
 - INSULATION RESISTANCE: 100MΩ MIN
 - DIELECTRIC WITHSTAND VOLTAGE, AC 100V FOR 1 MINUTE
 - LOW CONTACT RESISTANCE: INITIAL 40M2AFTER 50M2
- ENVIRONMENTAL PERFORMANCE: OPERATING TEMPERATURE: -30°C~+80°C
- IR REFLOW: THE PEAK TEMPERATURE ON THE BOARD SHALL BE MAINTAINED FOR 10 SECONDS AT 260C



PIN ASSIGNMENTS

A5	CC1	B12	GND
A9	VBUS	B9	VBUS
		B5	CC2
		B1	GND
PIN	SIGNAL NAME	PIN	SIGNAL NAME

<p>TOLERANCE</p> <p>X. XXX ±0.05</p> <p>X. XX ±0.15</p> <p>X. X ±0.20</p> <p>X. ±0.30</p> <p>ANGLE ±5.0°</p>		<p>东莞市恒祺电子科技有限公司</p> <p>Dongguan Hengqi Electronic Technology Co., Ltd</p>			
		<p>https://www.hq-dz.com phone:15812872448</p>			
<p>PROTECTON</p>	<p>DRAWN:</p> <p>CHECKED:</p> <p>APPROVED:</p>	<p>TITLE:</p> <p>TYPE C 6P板上端子SMT</p> <p>4定位脚插板L=6.8</p>			
		<p>PART NO:TYPE-C6P-BS1033A</p>			
		<p>DRAWING NO:8.94*6.8*3.16</p>			
		DATE:	18-10-08	UNIT:	mm
		DATE:	18-10-08	SCALE:	FULL
		DATE:	18-10-08	SIZE:	A4