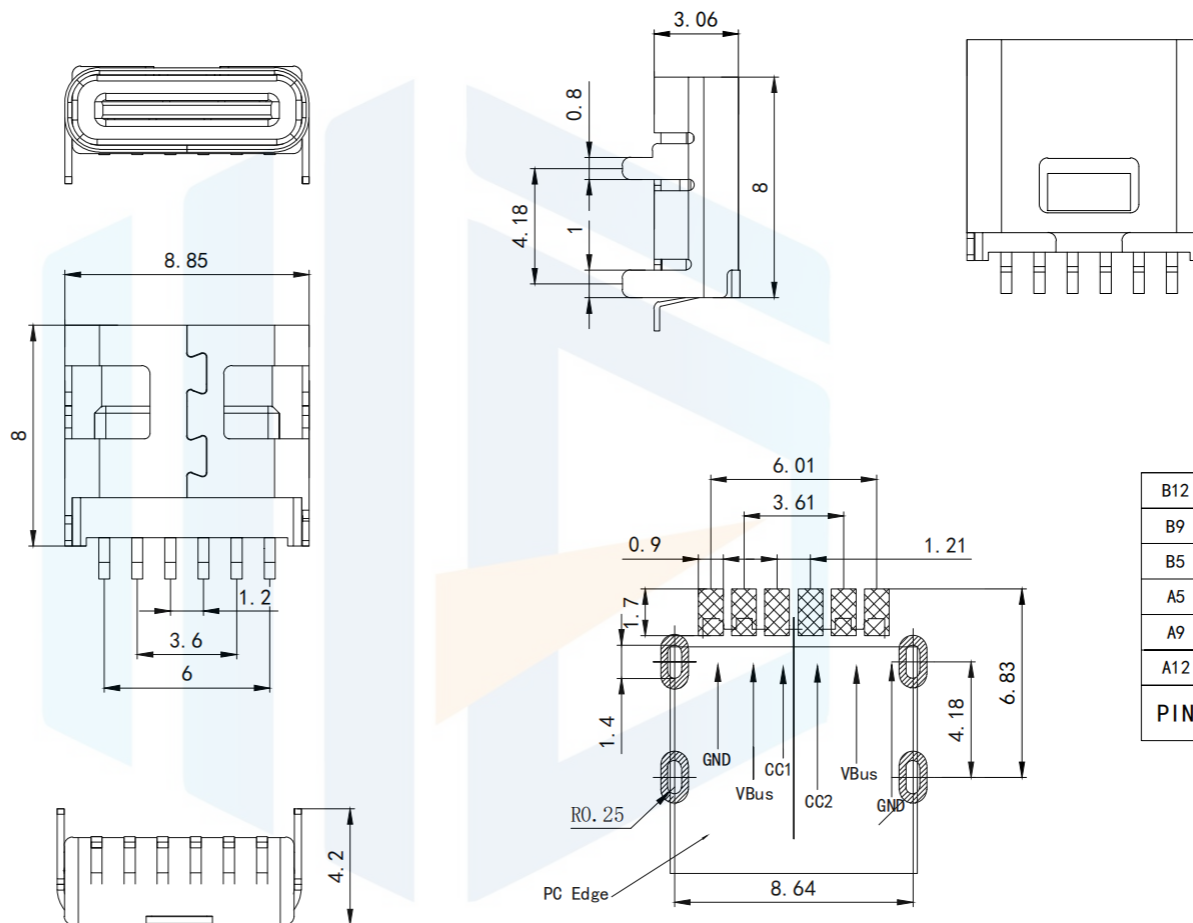


RoHS2.0
Compliant



PIN	SIGNAL NAME
B12	GND
B9	VBus
B5	CC2
A5	CC1
A9	VBus
A12	GND

Note:

1. Materials"

Molding: LCP UL94 V-0

Contact: Copper alloy.

The minimum contact area is gold-plated, 0.5u

Minimum tin in the solder zone (lead-free)

Shell: SUS304-H/CU, T-0.25 ± 0.03mm50u "nickel plating.

2. Mechanical:

Insertion: 5~20N.

Extraction: 8~20N after the test.

Durability: 10,000 cycles

3. Electrical:

Current: 3A for VBUS; The ground pin is 1.25A, and the other 0.25A.

Voltage: 20V max

Withstand voltage: 100V AC R. M. S.

Contact resistance: 40m2 max.

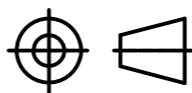
INSULATION RESISTANCE: MIN. 100M2 environment

The temperature range is -25° C~+85° C

TOLERANCE

X. XXX	±0.05
X. XX	±0.15
X. X	±0.20
X.	±0.30
ANGLE	±5.0°

PROTECTON



东莞市恒祺电子科技有限公司

Dongguan Hengqi Electronic Technology Co., Ltd

<https://www.hq-dz.com>

phone:15812872448

TITLE:

TYPE C 6P板上端子SMT加长款

PART NO:TYPE-C6P-BS1037

DRAWING NO:8.85*8*3.06

DRAWN:

DATE:

18-10-08

UNIT:
mm

CHECKED:

DATE:

18-10-08

SCALE:
FULL

APPROVED:

DATE:

18-10-08

SIZE:
A4