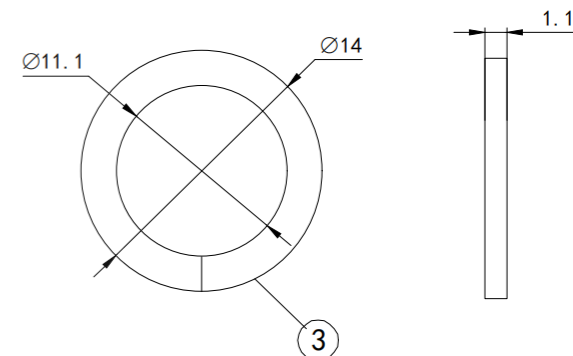
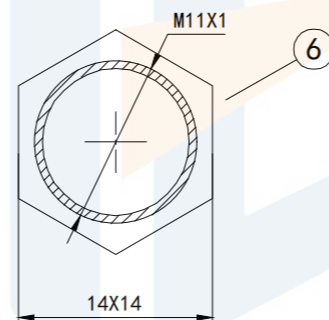
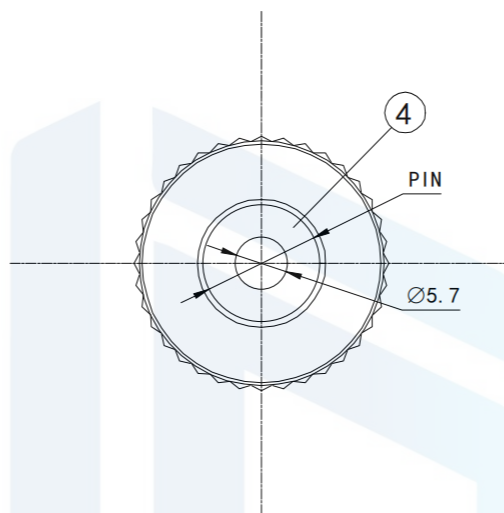
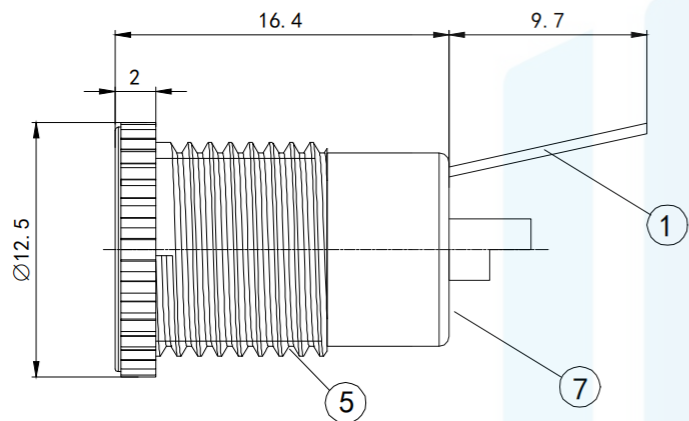
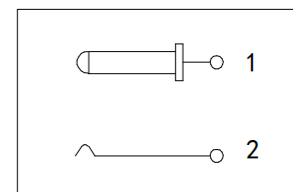


RoHS2.0
Compliant



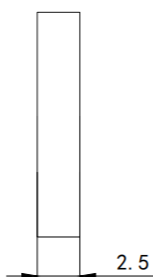
SCHMATIC



PIN	Ø2.0	Ø2.5
PIN	Ø1.3	Ø1.65

Technical requirements

1. Rated load: DC 50V 0.5A
2. Contact resistance: $\leq 0.03 \Omega$
3. Insulation resistance: $\geq 100 \Omega$ DC250V
4. Withstand voltage: AC 500V(50Hz)/min
5. Insertion force: 3~20N
6. Mechanical life: 5000 times



TOLERANCE X. XXX ±0.05 X. XX ±0.15 X. X ±0.20 X. ±0.30 ANGLE ±5.0°		东莞市恒祺电子科技有限公司 Dongguan Hengqi Electronic Technology Co., Ltd	
		https://www.hq-dz.com phone:15812872448	
PROTECTON 	TITLE: DC电源插座		PART NO: DC-099
	DRAWN:		DRAWING NO: 12.5*16.4*2
	CHECKED:	DATE: 18-10-08	UNIT: mm
APPROVED:	DATE: 18-10-08	SCALE: FULL	
	DATE: 18-10-08	SIZE: A4	