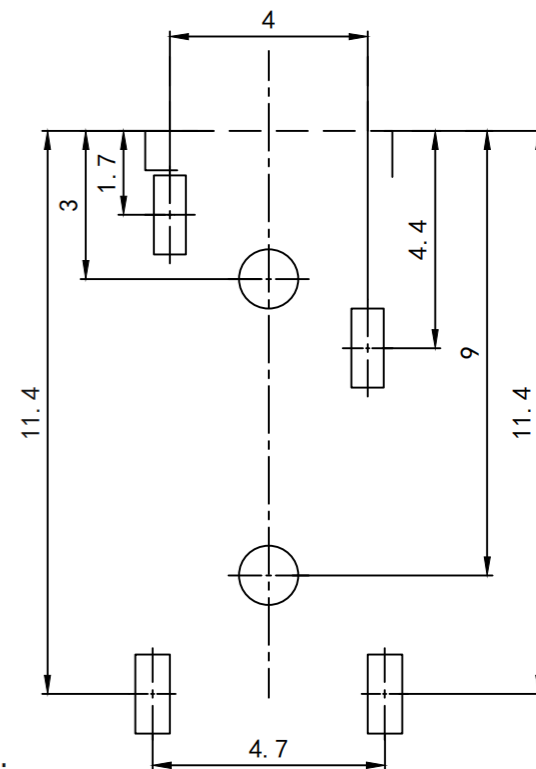
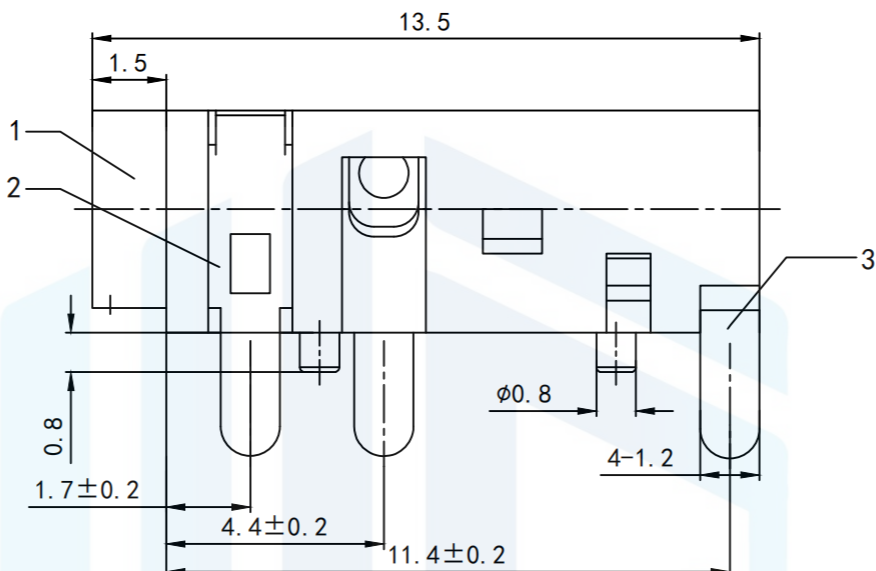
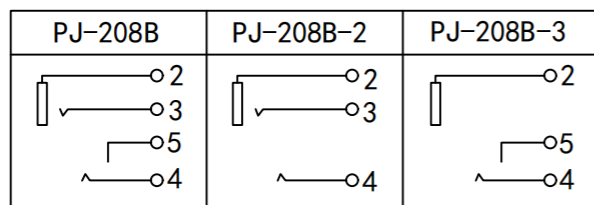
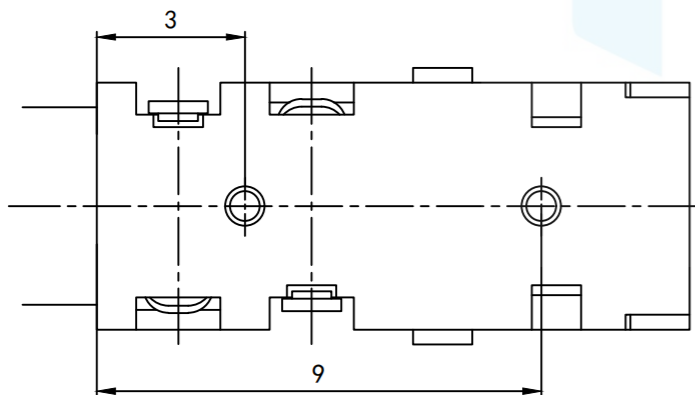
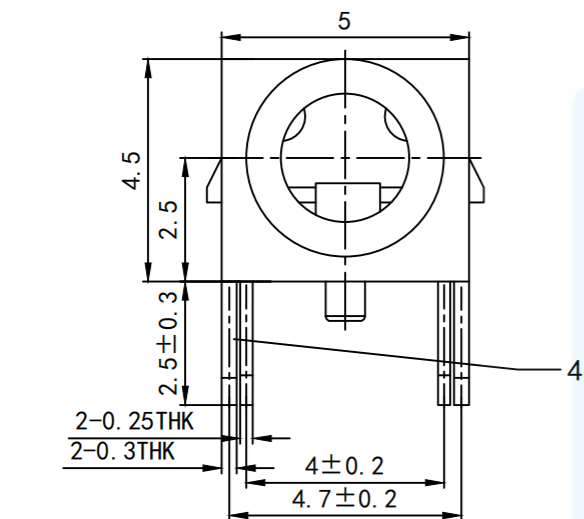


RoHS2.0
Compliant



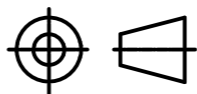
Technical requirement

1. Rated electrical load: 30V. 0.2A
2. Contact resistance: $\leq 0.03 \Omega$
3. Insulation resistance: $\geq 100M\Omega$
4. Withstand voltage: AC250V (50HZ) /min
5. Insertion and withdrawal force: 3-10N
6. Life: 5000 times

TOLERANCE

X. XXX	± 0.05
X. XX	± 0.15
X. X	± 0.20
X.	± 0.30
ANGLE	$\pm 5.0^\circ$

PROTECTON



东莞市恒祺电子科技有限公司
Dongguan Hengqi Electronic Technology Co., Ltd

<https://www.hq-dz.com>

phone: 15812872448

TITLE:

耳机插座

PART NO: PJ-208B

DRAWING NO: 13.5*5*4.5

DRAWN:

DATE:

18-10-08

UNIT:
mm

CHECKED:

DATE:

18-10-08

SCALE:
FULL

APPROVED:

DATE:

18-10-08

SIZE:
A4