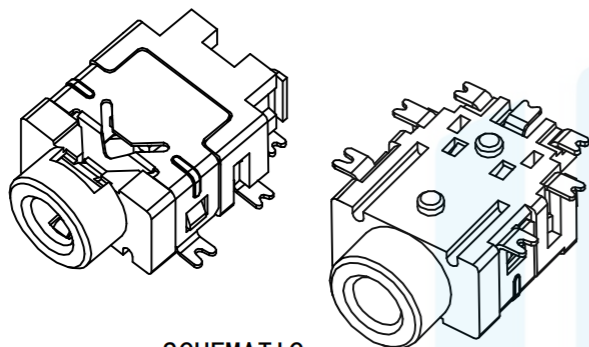
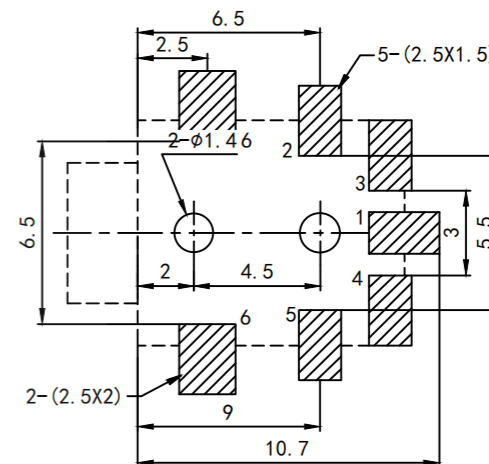
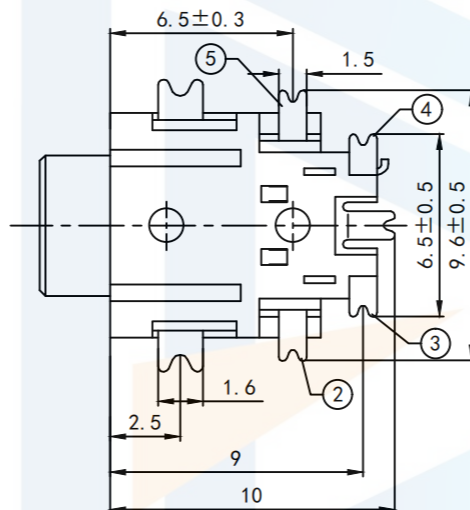
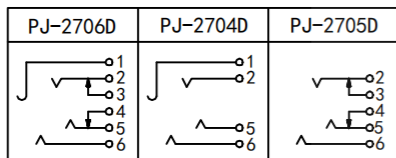


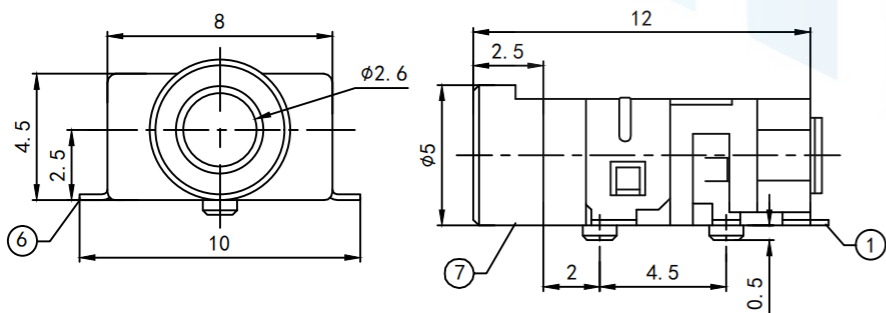
RoHS2.0  
Compliant



SCHMATIC



PCB LAYOUT MOUNTING PATTERN  
TOP VIEW



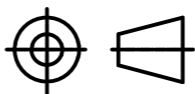
SPECIFICATION

1. Rating: DC 30V, 1.0A
2. Contact resistance: <30mΩ
3. Insulation resistance: >100M Ω
4. Withstand voltage : 500VAC
5. Insertion and extraction force: 3-20N
6. life test: 5,000 cycles

TOLERANCE

X. XXX	±0.05
X. XX	±0.15
X. X	±0.20
X.	±0.30
ANGLE	±5.0°

PROTECTON



东莞市恒祺电子科技有限公司  
Dongguan Hengqi Electronic Technology Co., Ltd

<https://www.hq-dz.com>

phone:15812872448

TITLE:

耳机插座

PART NO: PJ-2440

DRAWING NO: 12\*8\*4.5

DRAWN:

DATE:

18-10-08

UNIT:  
mm

CHECKED:

DATE:

18-10-08

SCALE:  
FULL

APPROVED:

DATE:

18-10-08

SIZE:  
A4