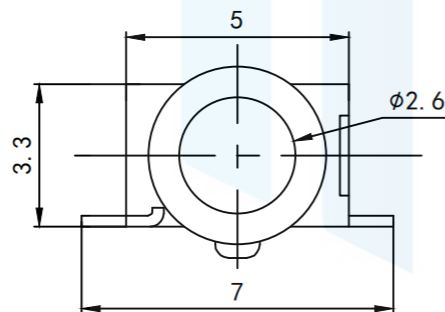
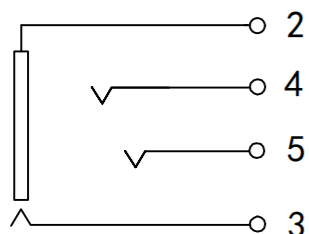
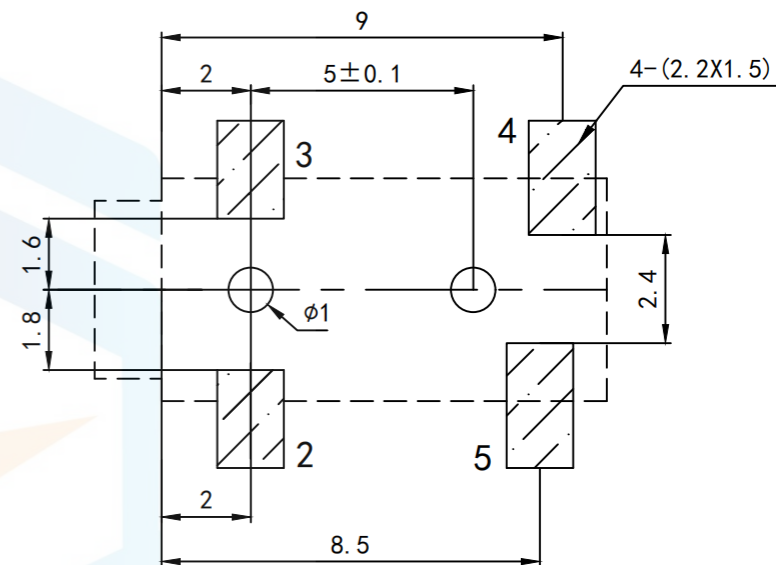
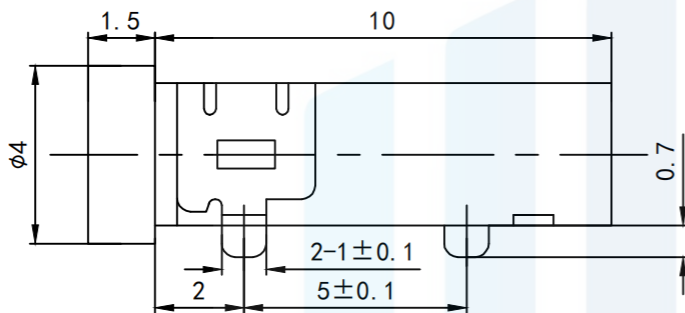


RoHS2.0  
Compliant

P. C. B LAYOUT TOP VIEW



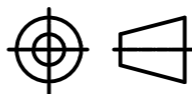
基座	PPA	1	
弹片	磷铜	1	镀银
插脚	磷铜	3	镀银
零件名称	材料	数量	备注

Technical features:  
 Operating conditions:  $-30\sim 70^{\circ}$   
 Rated load: DC30V 0.5A  
 Contact resistance:  $<0.03\Omega$   
 Insulation resistance:  $>100M\Omega$  DC250V  
 Voltage: AC500V (50Hz)/min  
 Insertion and removal force:  $3\sim 20N$   
 Lifetime: 5000 times

TOLERANCE

X. XXX	$\pm 0.05$
X. XX	$\pm 0.15$
X. X	$\pm 0.20$
X.	$\pm 0.30$
ANGLE	$\pm 5.0^{\circ}$

PROTECTON



东莞市恒祺电子科技有限公司  
 Dongguan Hengqi Electronic Technology Co., Ltd

<https://www.hq-dz.com> phone:15812872448

TITLE: 耳机插座	PART NO: PJ-234
	DRAWING NO: 11.5*5*3.3

DRAWN:	DATE: 18-10-08	UNIT: mm
CHECKED:	DATE: 18-10-08	SCALE: FULL
APPROVED:	DATE: 18-10-08	SIZE: A4