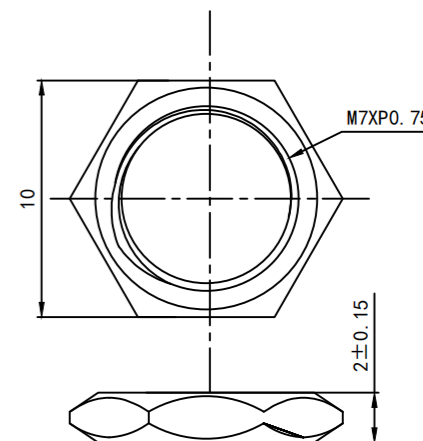
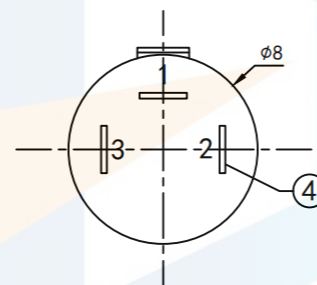
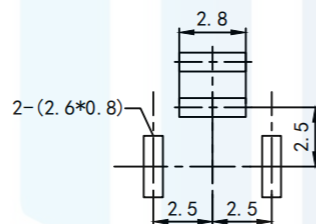
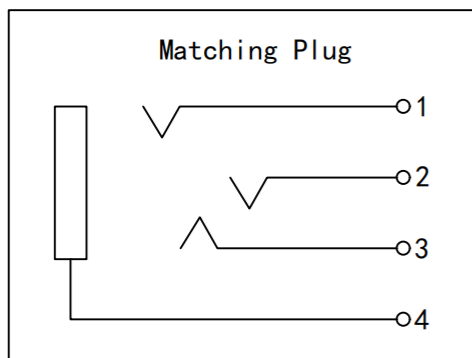
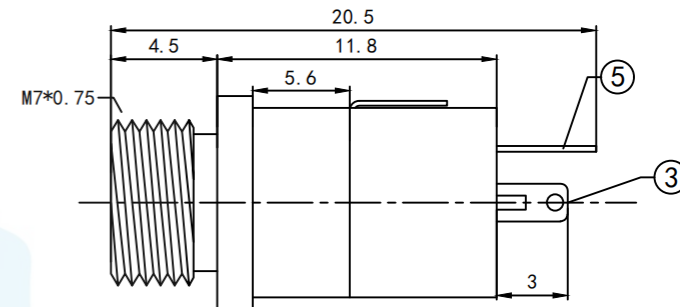
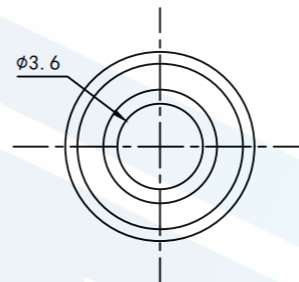
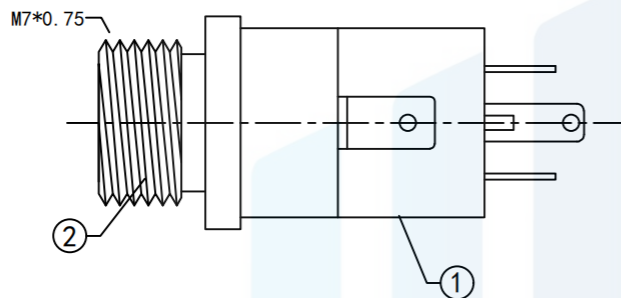


RoHS2.0
Compliant



SPFCIFICATION

1. Rating DC 30V 0.5A
2. Contact resistance <math>< 30\text{m}\Omega</math>
3. Insulation resistance $100\text{M}\Omega$ (DC250V)
4. Withstand voltage 500VAC
5. Insertion and extraction force 3-30N;
6. life test 5,000 cycles

TOLERANCE			东莞市恒祺电子科技有限公司		
X. XXX	±0.05		Dongguan Hengqi Electronic Technology Co., Ltd		
X. XX	±0.15	https://www.hq-dz.com phone:15812872448			
X. X	±0.20	TITLE: 耳机插座		PART NO: PJ-392A	
X.	±0.30	DRAWING NO: 11.8*4.5*5.6			
ANGLE	±5.0°				
PROTECTON		DRAWN:	DATE:	18-10-08	UNIT: mm
		CHECKED:	DATE:	18-10-08	SCALE: FULL
		APPROVED:	DATE:	18-10-08	SIZE: A4